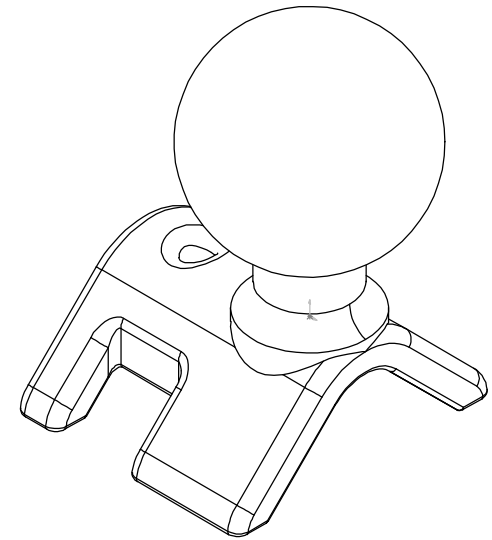
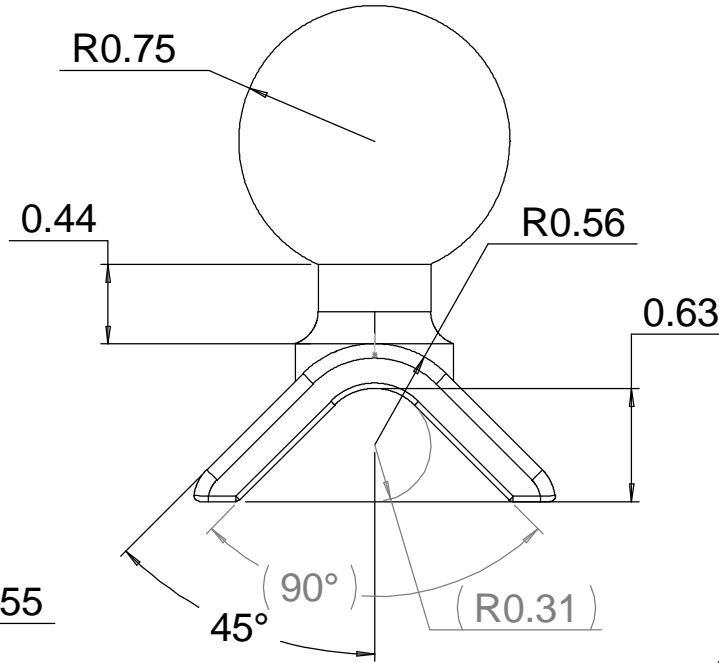
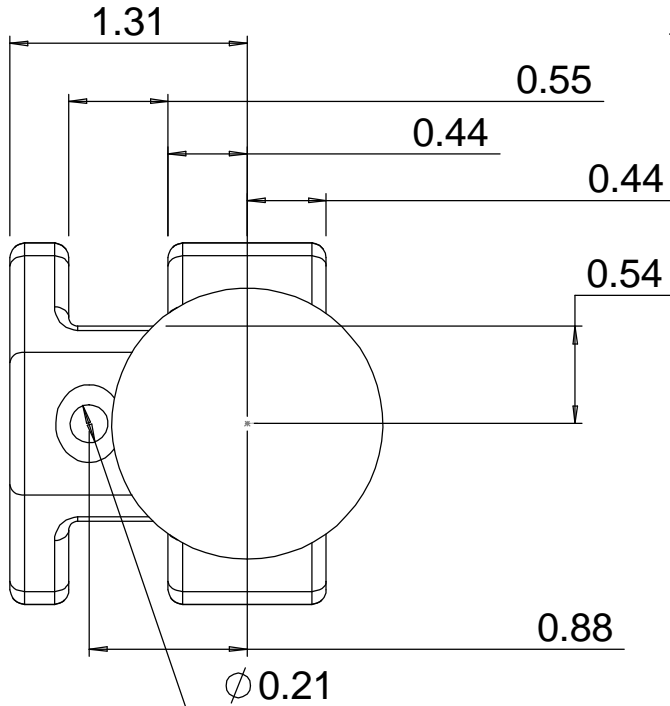
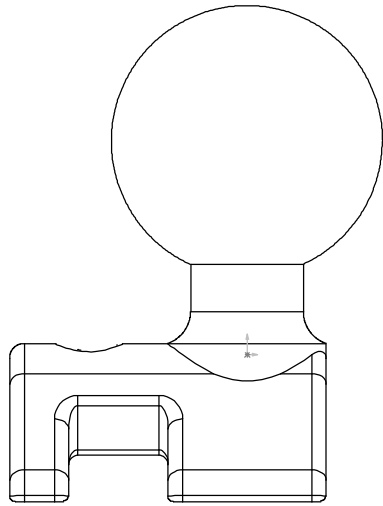


THE INFORMATION CONTAINED IN THIS DRAWING IS THE SOLE PROPERTY OF NATIONAL PRODUCTS INC. ANY REPRODUCTION IN PART OR WHOLE WITHOUT THE WRITTEN PERMISSION OF NATIONAL PRODUCTS INC. IS PROHIBITED.



UNLESS OTHERWISE SPECIFIED DIMENSIONS ARE IN INCHES		CAD GENERATED DRAWING. DO NOT MANUALLY UPDATE		NATIONAL PRODUCTS INC. 1017 S. ELMGROVE ST. SEATTLE, WA 98108	
TOLERANCES ARE:		APPROVALS	DATE	RAM V BLOCK BASE WITH STRAP AND 1.5" DIA. RUBBER BALL	
FRACTIONS	DECIMALS	DRAWN JDC	01/19/01		
+ - 1/32	.XX+ -.06				
	+ - 1 DEG.	CHECKED			
	.XXX+ -.030	RESP ENG		SIZE	DWG. NO.
	.XXXX+ -.002	MFG ENG		A	RAM-108B
MATERIAL	ALUMINUM	QUAL ENG		SCALE	CAD FILE: RAM-108B
FINISH	BLACK POWDER COAT			SHEET	1 OF 1
DO NOT SCALE DRAWING					