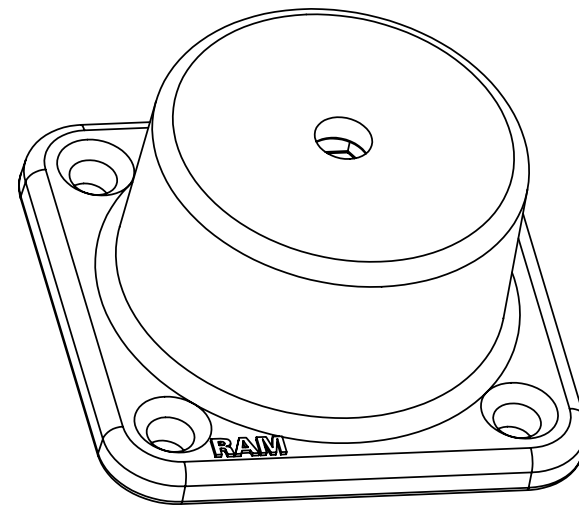
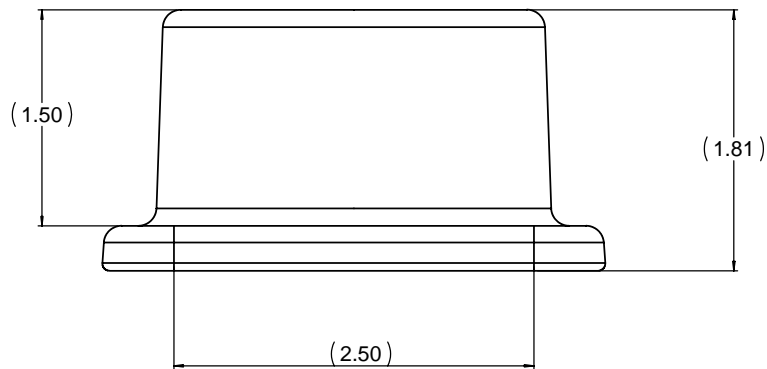
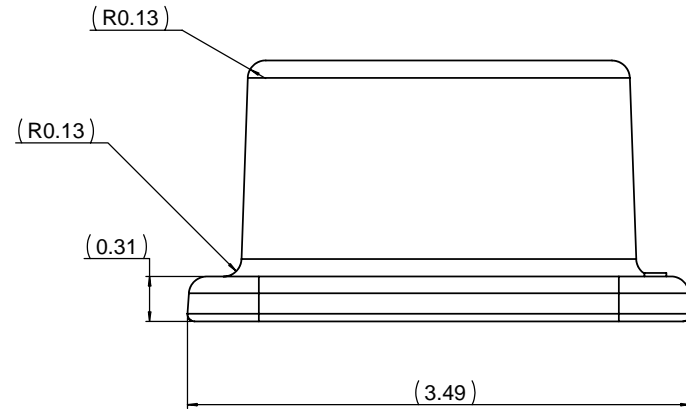
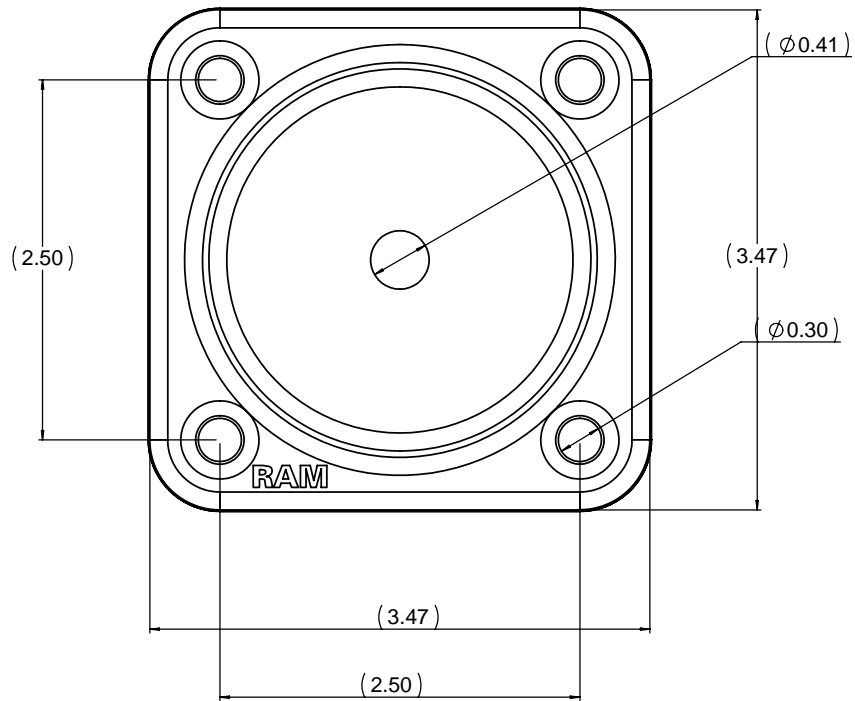


THE INFORMATION CONTAINED IN THIS DRAWING IS THE SOLE PROPERTY OF NATIONAL PRODUCTS INC. ANY REPRODUCTION IN PART OR WHOLE WITHOUT THE WRITTEN PERMISSION OF NATIONAL PRODUCTS INC. IS PROHIBITED.

REV		DESCRIPTION	REVISIONS	DATE	APPROVED



UNLESS OTHERWISE SPECIFIED DIMENSIONS ARE IN INCHES		CAD GENERATED DRAWING. DO NOT MANUALLY UPDATE		NATIONAL PRODUCTS INC.	
FRACTIONS: DECIMALS ANGLES		APPROVALS	DATE	RAM HORIZONTAL BASE FOR SWING ARM SYSTEM	
+ 1/32 - .003 + .1 DEG		DRAWN JDC	04/26/07		
.XXX - .010		CHECKED CMR	04/26/07		
MATERIAL	ALLUMINUM	DESIGN ENG		SIZE	
FRESH	BLACK	MFG ENG		SCALE	
DO NOT SCALE DRAWING		DUAL ENG		CAD FILE	
				RAM-109H-B	