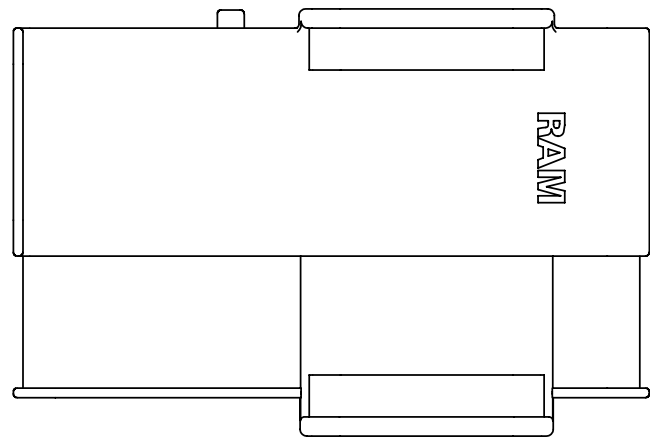
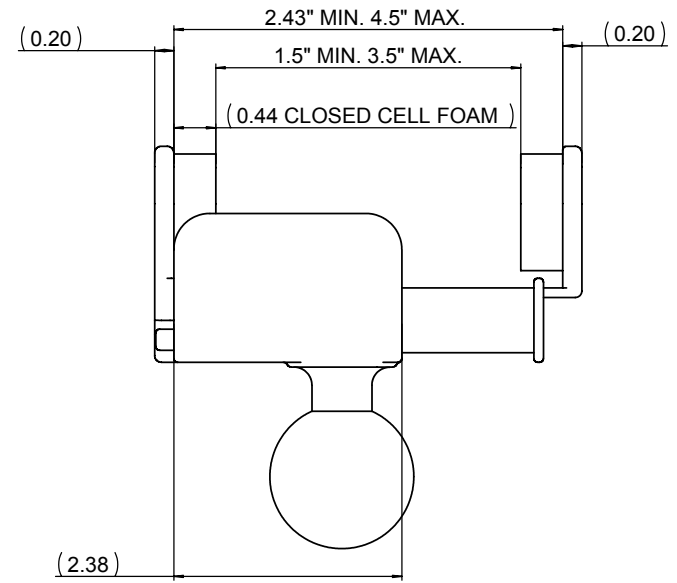
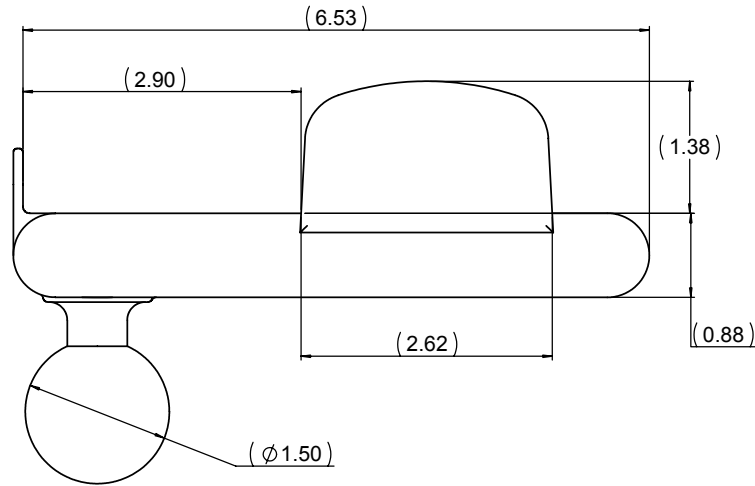
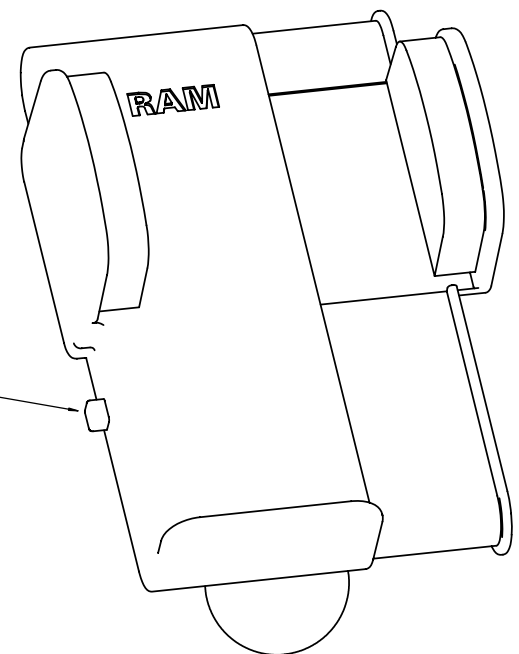


THE INFORMATION CONTAINED IN THIS DRAWING IS THE SOLE PROPERTY OF NATIONAL PRODUCTS INC. ANY REPRODUCTION IN PART OR WHOLE WITHOUT THE WRITTEN PERMISSION OF NATIONAL PRODUCTS INC. IS PROHIBITED.

REV.		DESCRIPTION	DATE	APPROVED



PUSH BUTTON TO RELEASE



UNLESS OTHERWISE SPECIFIED DIMENSIONS ARE IN INCHES TOLERANCES ARE: FRACTIONS: DECIMALS ANGLES +/- 1/32 .XXX +/- .03 +/- 1 DEG. .XXX - .010	C-AD GENERATED DRAWING. DO NOT MANUALLY UPDATE		NATIONAL PRODUCTS INC.	
	APPROVALS	DATE	RAM UNIVERSAL QUICK RELEASE ELECTRONICS HOLDER WITH 1.5\"/>	
MATERIAL	ALUMINUM	RESP. ENG.	SIZE	SWG. NO.
FINISH	BLACK POWDER COAT	QUAL. ENG.	C	RAM-120B
DO NOT SCALE DRAWING	SCALE 1 TO 1	CAD. FILE:	RAM120B	SHEET 1 OF 1