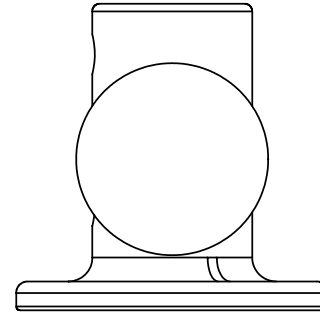
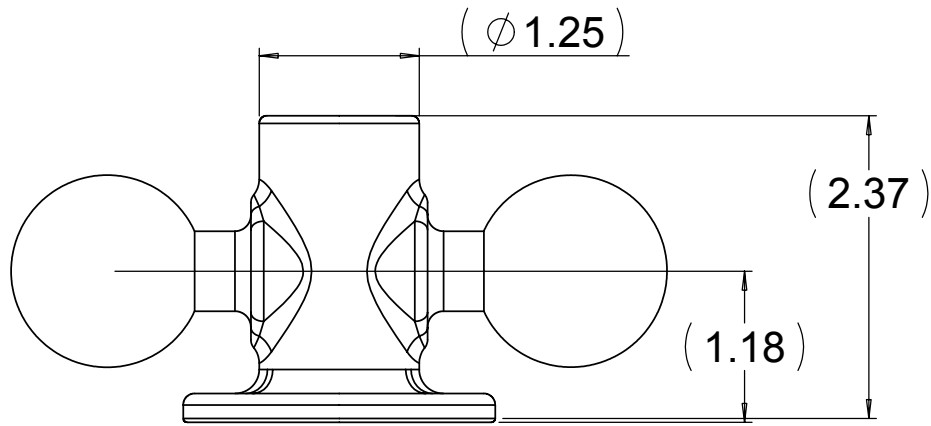
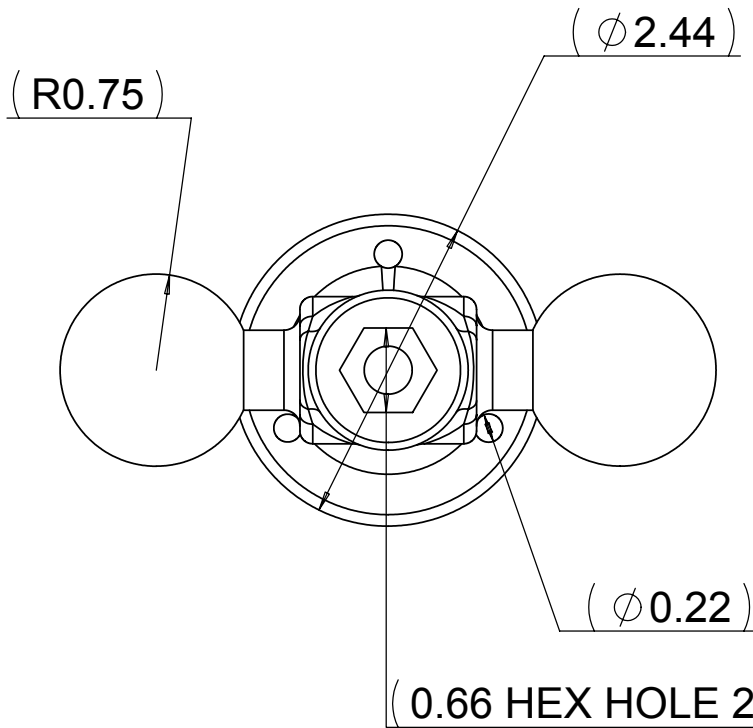


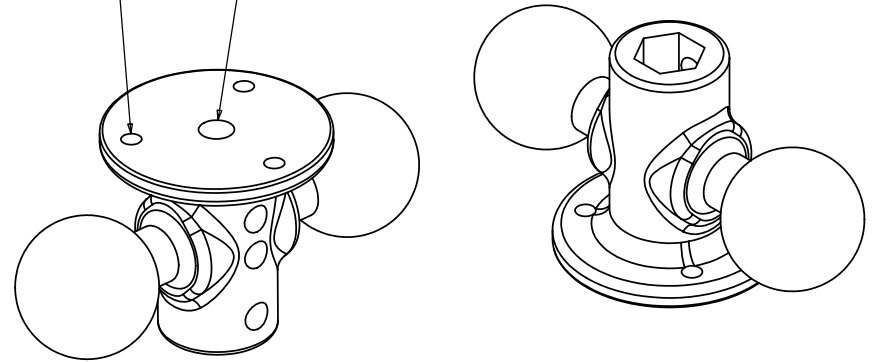
THE INFORMATION CONTAINED IN THIS DRAWING IS THE SOLE PROPERTY OF NATIONAL PRODUCTS INC. ANY REPRODUCTION IN PART OR WHOLE WITHOUT THE WRITTEN PERMISSION OF NATIONAL PRODUCTS INC. IS PROHIBITED.



(1.812 BOLT HOLE DIA. 120° APART)



(3/8"-16 THREADED HOLE)



UNLESS OTHERWISE SPECIFIED DIMENSIONS ARE IN INCHES TOLERANCES ARE: FRACTIONS DECIMALS ANGLES + - 1/32 .XX+ -.06 + - 1 DEG. .XXX+ -.030	CAD GENERATED DRAWING, DO NOT MANUALLY UPDATE		NATIONAL PRODUCTS INC. 1017 S. ELMGROVE ST. SEATTLE, WA 98108	
	APPROVALS	DATE	RAM 2.43" DIA. BASE WITH DOUBLE 1.5" DIA. RUBBER BALLS	
DRAWN JDC	01/19/01	SIZE A		
MATERIAL ALUMINUM	CHECKED CMR	04/20/01	SCALE	CAD FILE: RAM2171
FINISH BLACK POWDER COAT	RESP ENG		SHEET	OF
DO NOT SCALE DRAWING	MFG ENG			
	QUAL ENG			

(0.66 HEX HOLE 2" DEEP)