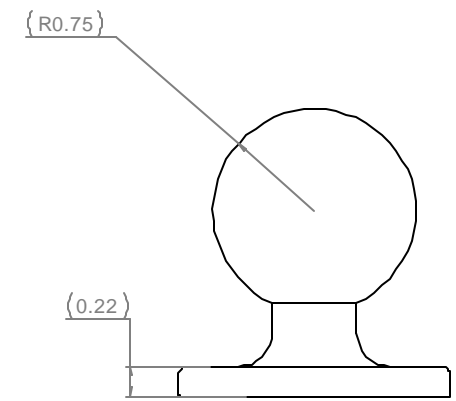
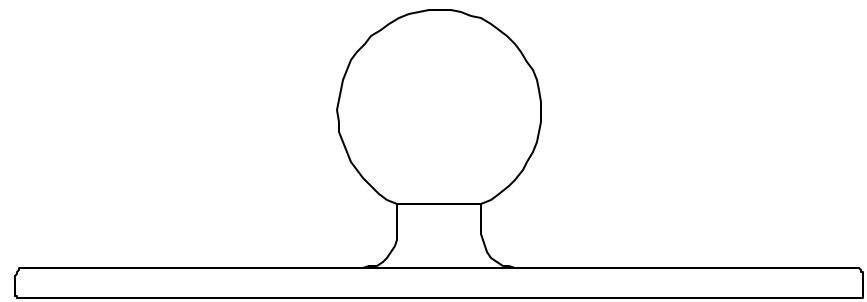
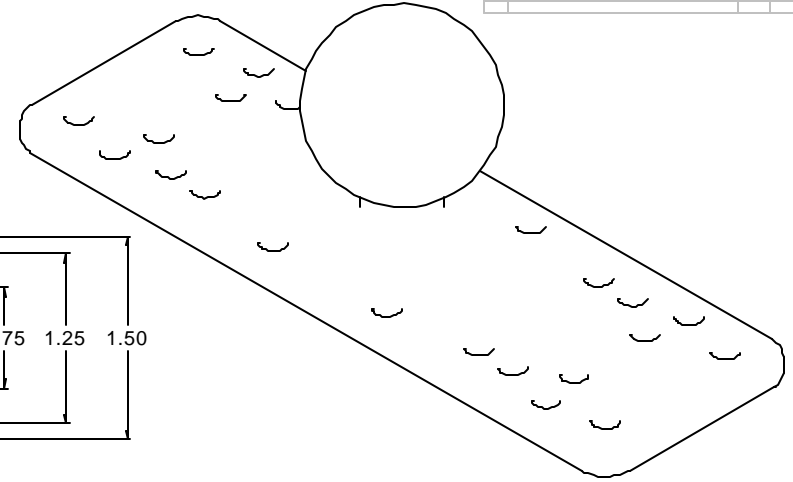
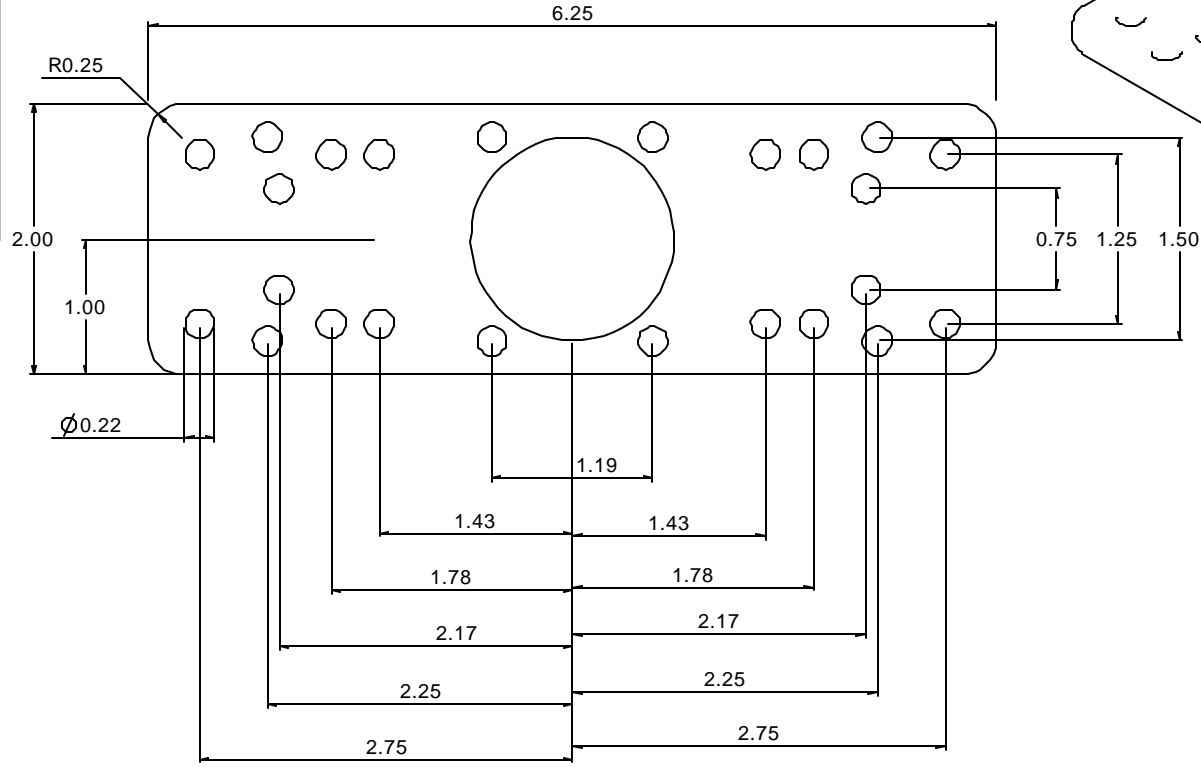


THE INFORMATION CONTAINED IN THIS DRAWING IS THE SOLE PROPERTY OF NATIONAL PRODUCTS INC. ANY REPRODUCTION IN PART OR WHOLE WITHOUT THE WRITTEN PERMISSION OF NATIONAL PRODUCTS INC. IS PROHIBITED.

REV	DESCRIPTION	REVISION	DATE	APPROVED



UNLESS OTHERWISE SPECIFIED DIMENSIONS ARE IN INCHES TOLERANCES ARE: FRACTIONS DECIMALS ANGLES 1/16 .005 .01	CAD GENERATED DRAWING DO NOT MANUALLY UPDATE		NATIONAL PRODUCTS INC.	
	APPROVALS	DATE	RAM 2" X 6 1/4" BASE WITH 1.5" DIA. RUBBER BALL	
	DRAWN JDC	04/20/01	REV	1
	CHECKED CMR	04/20/01	SCALE	1:1 (CAD FILE)
MATERIAL ALUMINUM	FINISH BLACK POWDER COAT	DO NOT SCALE DRAWING	DATE	SCALE 1:1 (CAD FILE)
		REV	1	SHEET 1 OF 1