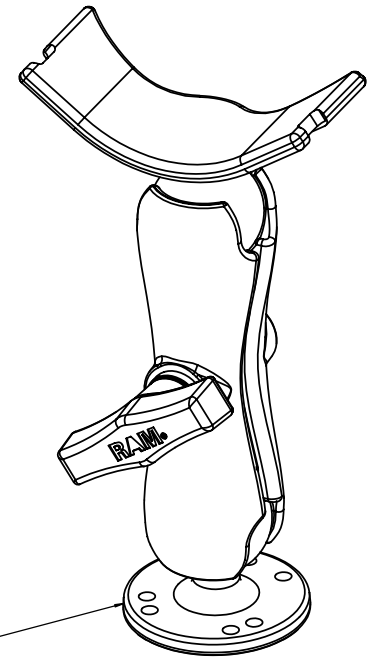
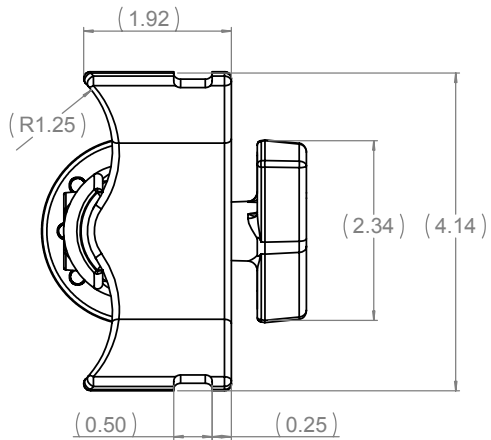
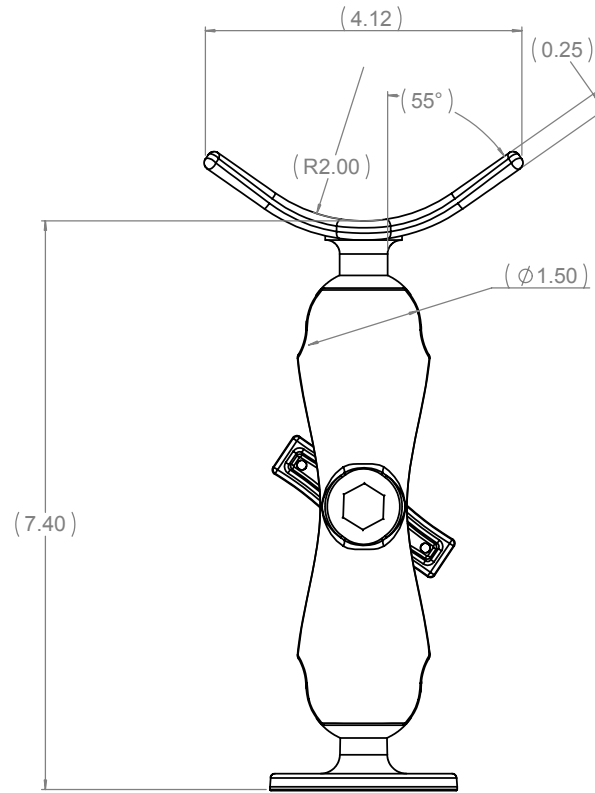
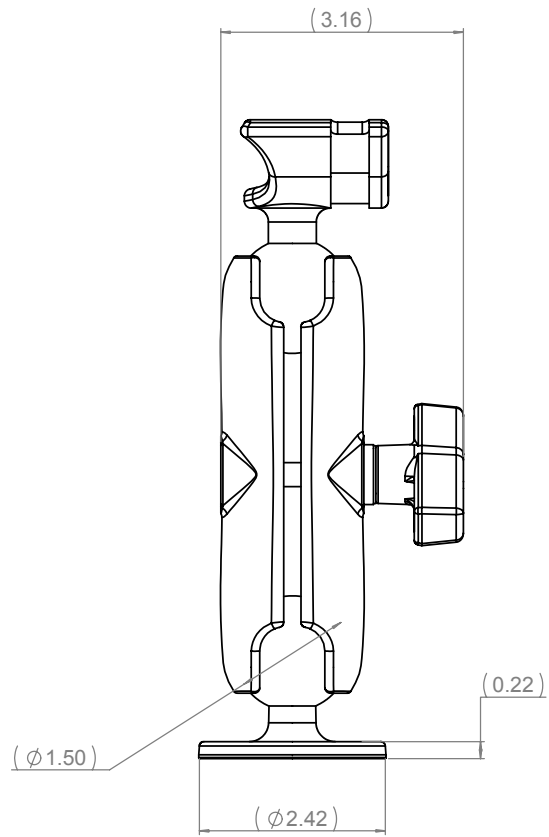


THE INFORMATION CONTAINED IN THIS DRAWING IS THE SOLE PROPERTY OF NATIONAL PRODUCTS INC. ANY REPRODUCTION IN PART OR WHOLE WITHOUT THE WRITTEN PERMISSION OF NATIONAL PRODUCTS INC. IS PROHIBITED.

REVISIONS		DATE	APPROVED
REV.	DESCRIPTION		



DWG. RAM-202 FOR BASE DETAILS

UNLESS OTHERWISE SPECIFIED DIMENSIONS ARE IN INCHES TOLERANCES ARE: FRACTIONS: DECIMALS ANGLES +/- 1/32 .XX+ .06 +/- 1 DEG. .XXX+ .030	CAD GENERATED DRAWING. DO NOT MANUALLY UPDATE	NATIONAL PRODUCTS INC.	
APPROVALS	DATE	RAM MOUNT WITH STRAP CLAMP BASE FOR LANTERNS AND OTHER OBJECTS	
DRAWN JDC	09/19/02	SIZE	DWG. NO. RAM-118
CHECKED CMR	09/19/02	SCALE	1 TO 1
MATERIAL ALUMINUM	RESP ENG	CAD FILE	RAM118
FINISH BLACK POWDER COAT	MFG ENG	SHEET	1 OF 1
DO NOT SCALE DRAWING	QUAL ENG	REV.	