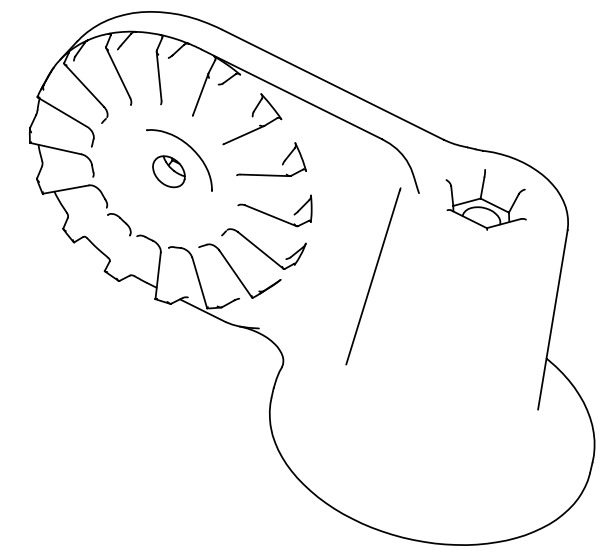
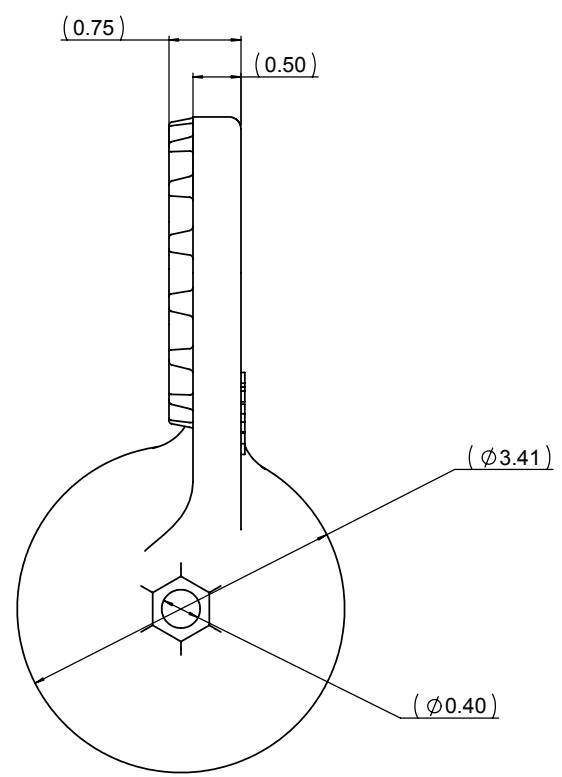
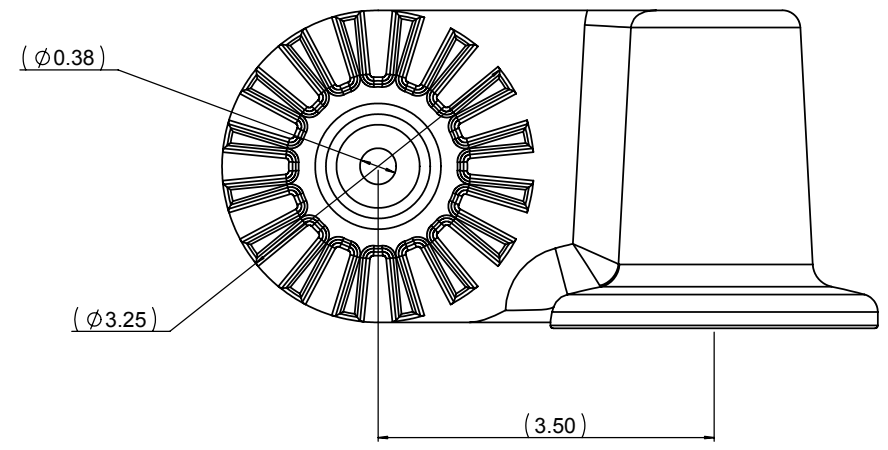
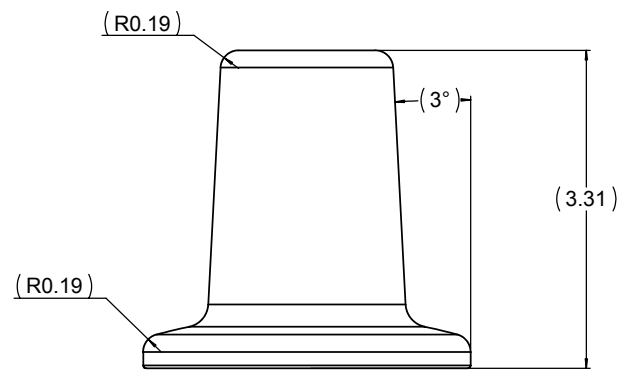


THE INFORMATION CONTAINED IN THIS DRAWING IS THE SOLE PROPERTY OF NATIONAL PRODUCTS INC. ANY REPRODUCTION IN PART OR WHOLE WITHOUT THE WRITTEN PERMISSION OF NATIONAL PRODUCTS INC. IS PROHIBITED.

| REV. | DESCRIPTION | DATE | APPROVED |
|------|-------------|------|----------|
| | | | |
| | | | |



| | | | | |
|---|--|----------|---|-------------------|
| UNLESS OTHERWISE SPECIFIED DIMENSIONS ARE IN INCHES TOLERANCES ARE: FRACTIONS: DECIMALS ANGLES +/- 1/32 .XXX +.06 +/- 1 DEG. .XXX - .030 | CAD GENERATED DRAWING. DO NOT MANUALLY UPDATE | | NATIONAL PRODUCTS INC. | |
| | APPROVALS | DATE | RAM SWIVEL BASE FOR RATCHET SWING ARM SYSTEMS | |
| MATERIAL: ALUMINUM | DRAWN: JDC | 06/15/01 | SIZE: C | REV.: |
| FINISH: BLACK POWDER COAT | CHECKED: CMR | 06/15/01 | SCALE: 1 TO 1 | CAD FILE: RAM162S |
| DO NOT SCALE DRAWING | RESP ENG | | | SHEET 1 OF 1 |
| | MFG ENG | | | |
| | QUAL ENG | | | |