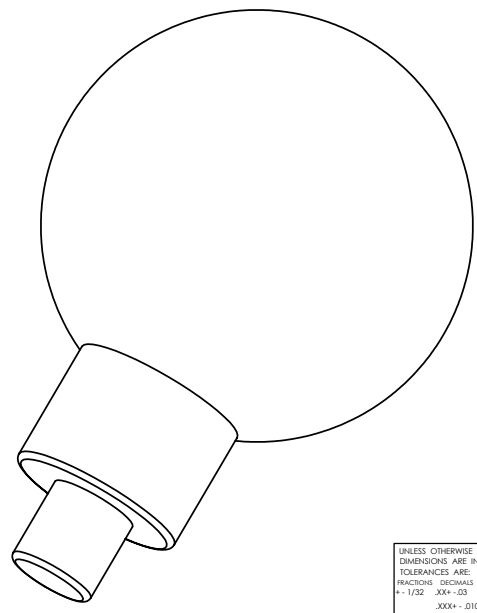
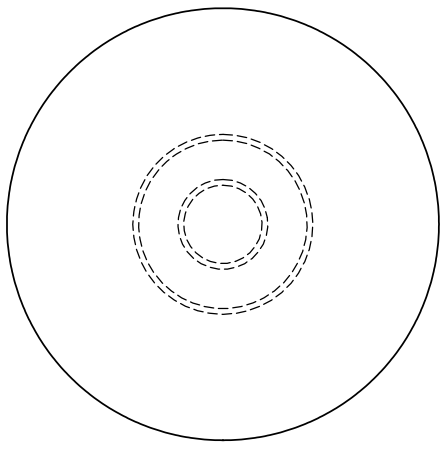
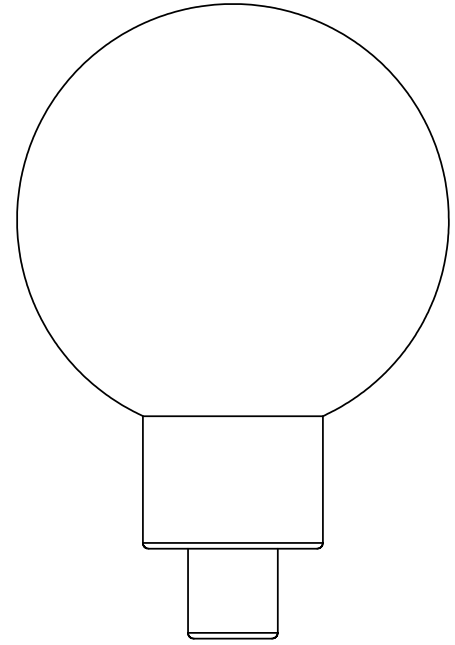
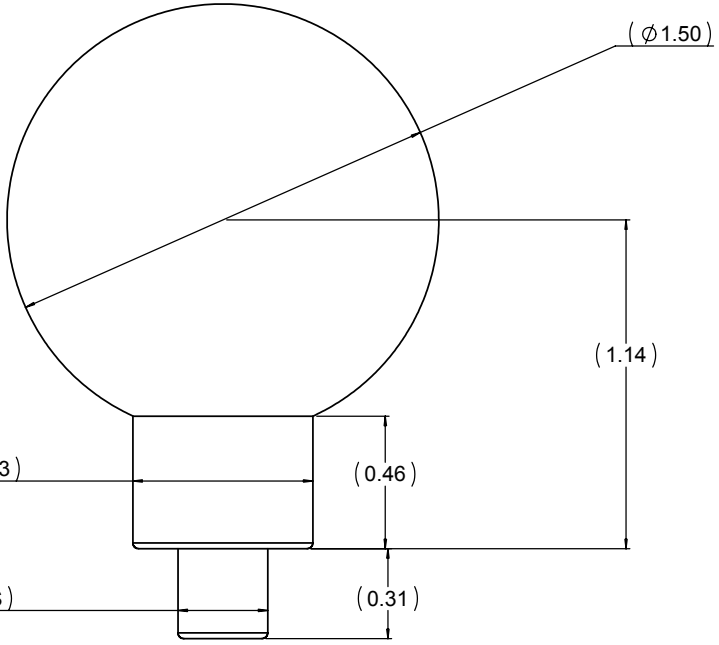


THE INFORMATION CONTAINED IN THIS DRAWING IS THE SOLE PROPERTY OF NATIONAL PRODUCTS INC. ANY REPRODUCTION IN PART OR WHOLE WITHOUT THE WRITTEN PERMISSION OF NATIONAL PRODUCTS INC. IS PROHIBITED.

REVISIONS		DATE	APPROVED
REV.	DESCRIPTION		



UNLESS OTHERWISE SPECIFIED DIMENSIONS ARE IN INCHES TOLERANCES ARE: FRACTIONS DECIMALS ANGLES +/- 1/32 .XXX +/- .03 +/- 1 DEG. .XXX - .010		CAD GENERATED DRAWING. DO NOT MANUALLY UPDATE		NATIONAL PRODUCTS INC.	
MATERIAL: ALUMINUM		APPROVALS	DATE	RAM BASE WITH 5/16"-18 THREADED POST AND 1 .5" DIA. RUBBER BALL	
FINISH: PLAIN		DRAWN: JDC	12/05/01	SCALE: 1 TO 1	
DO NOT SCALE DRAWING		CHECKED: CMR	12/05/01	DWG. NO.: RAM-239	
		REP. ENG.		REV.	
		MFG. ENG.		SHEET 1 OF 1	
		QUAL. ENG.		CAD. FILE: RAM239	