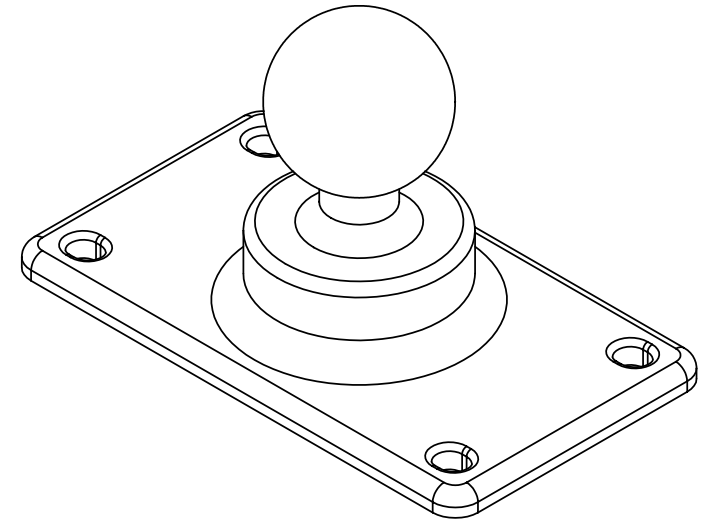
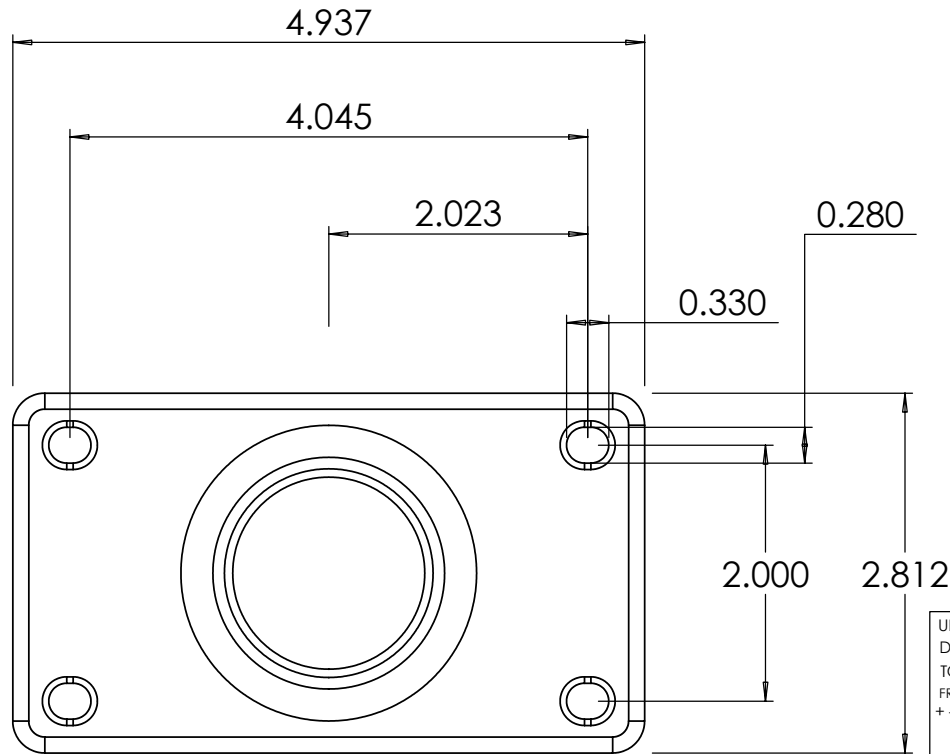
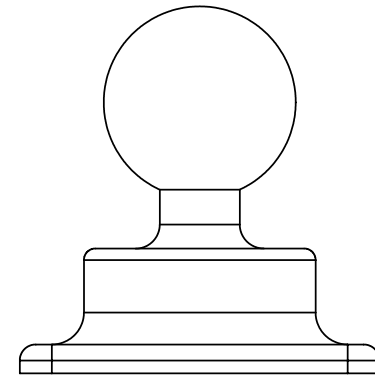
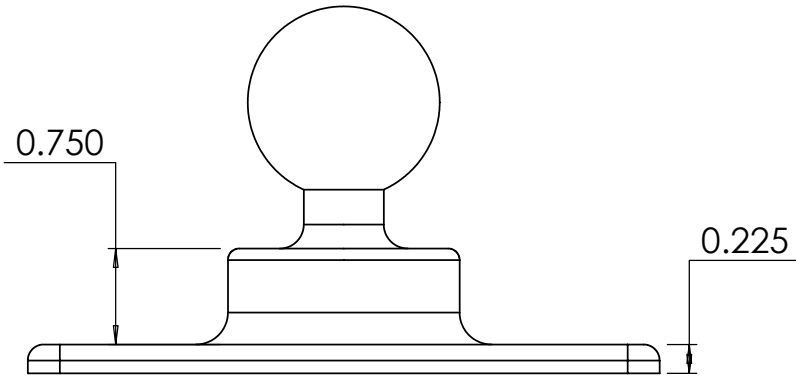


THE INFORMATION CONTAINED IN THIS DRAWING IS THE SOLE PROPERTY OF NATIONAL PRODUCTS INC. ANY REPRODUCTION IN PART OR WHOLE WITHOUT THE WRITTEN PERMISSION OF NATIONAL PRODUCTS INC. IS PROHIBITED.



UNLESS OTHERWISE SPECIFIED DIMENSIONS ARE IN INCHES TOLERANCES ARE: FRACTIONS DECIMALS ANGLES + - 1/32 .XX+ -.06 + - 1 DEG. .XXX+ -.030	CAD GENERATED DRAWING. DO NOT MANUALLY UPDATE		NATIONAL PRODUCTS INC. 1017 S. ELMGROVE ST. SEATTLE, WA 98108	
	APPROVALS	DATE	4 15/16" X 2 13/16" RAM BASE PLATE WITH 1 1/2" DIAMETER RUBBER BALL FOR GAMBER JOHNSON HOLE PATTERN	
	DRAWN JDC	8/22/00		
	CHECKED CMR	04/20/01		
MATERIAL ALUMINUM	RESP ENG		SIZE A	DWG. NO. RAM-243
FINISH BLACK POWDER COAT	MFG ENG		SCALE	CAD FILE: RAM243
DO NOT SCALE DRAWING	QUAL ENG		SHEET 1	OF 1