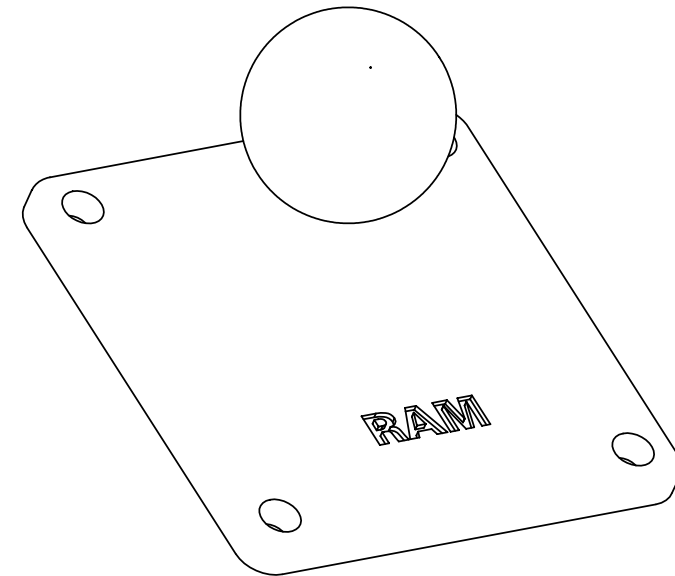
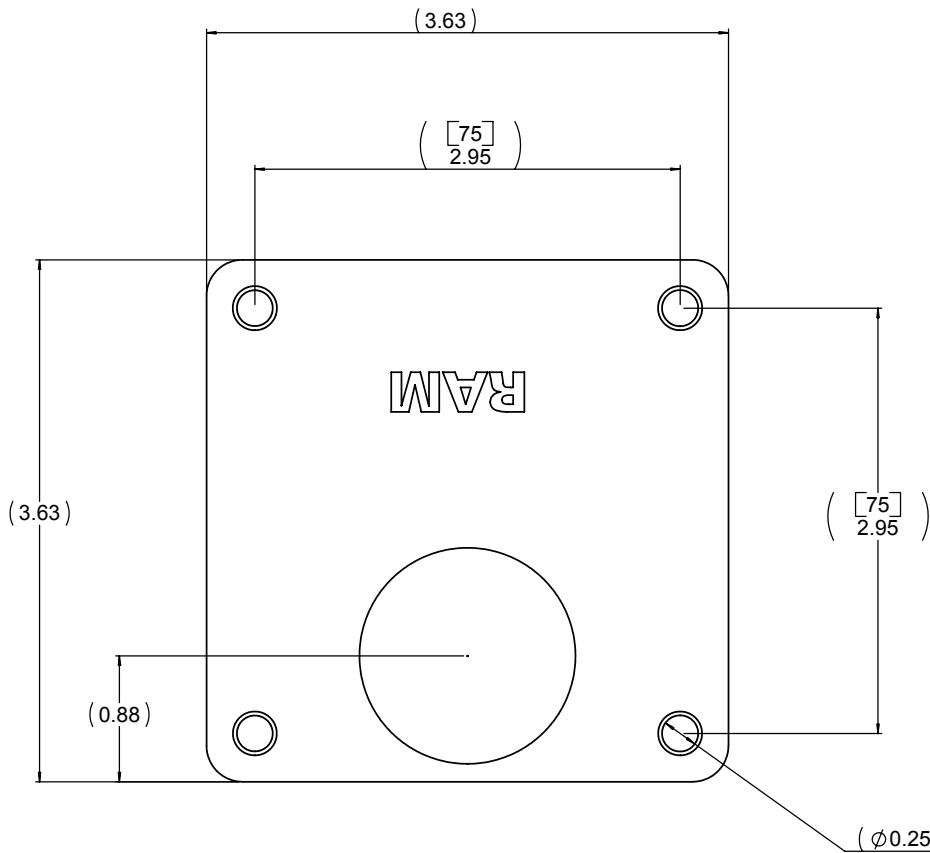
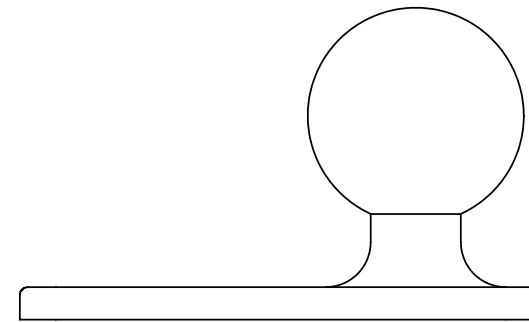
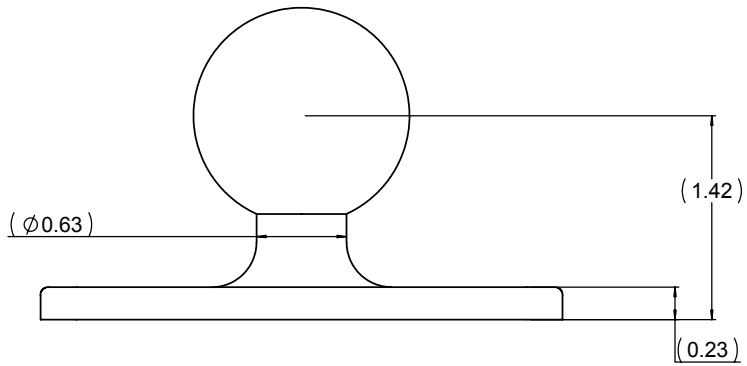


THE INFORMATION CONTAINED IN THIS DRAWING IS THE SOLE PROPERTY OF NATIONAL PRODUCTS INC. ANY REPRODUCTION IN PART OR WHOLE WITHOUT THE WRITTEN PERMISSION OF NATIONAL PRODUCTS INC. IS PROHIBITED.

REV.		DESCRIPTION	REVISIONS	DATE	APPROVED



UNLESS OTHERWISE SPECIFIED DIMENSIONS ARE IN INCHES TOLERANCES ARE: FRACTIONS: DECIMALS ANGLES +/- 1/32 .XX+ .06 +1 DEG. .XXX+ .030		C-AD GENERATED DRAWING. DO NOT MANUALLY UPDATE		NATIONAL PRODUCTS INC.	
APPROVALS		DATE		RAM 75 X 75 MIL. VESA BASE WITH 1 1/2" DIAMETER BALL	
DRAWN JDC		07/05/01		MATERIAL	
CHECKED		RESP ENG		ALUMINUM	
FINISH		MFG ENG		BLACK POWDER COAT	
QUAL ENG		SCALE 1 TO 1		C-AD FILE: RAM2461	
DO NOT SCALE DRAWING		SHEET 1 OF 1		REV.	