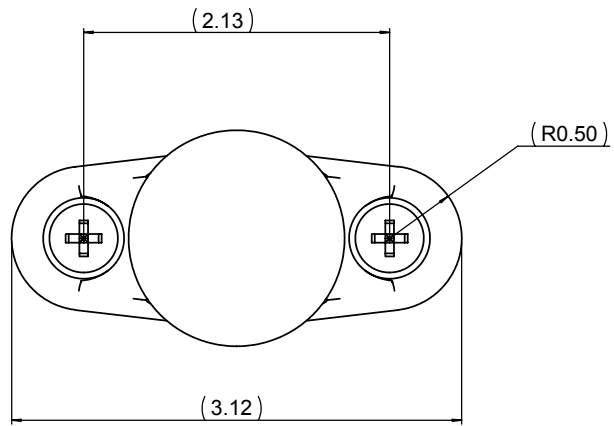
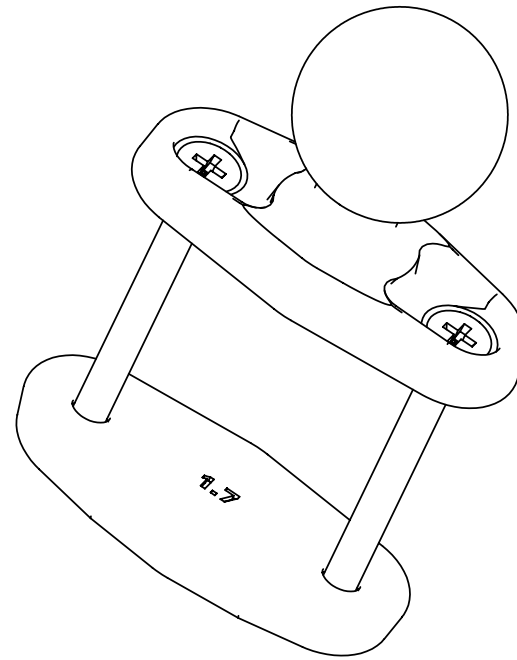
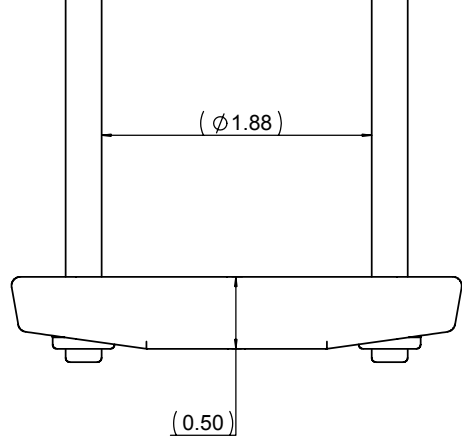
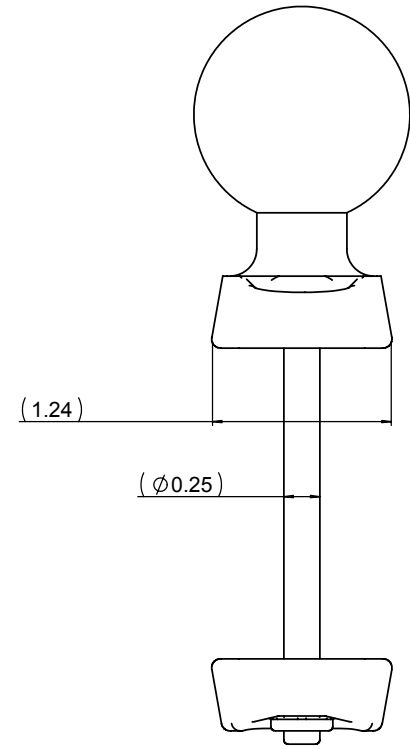
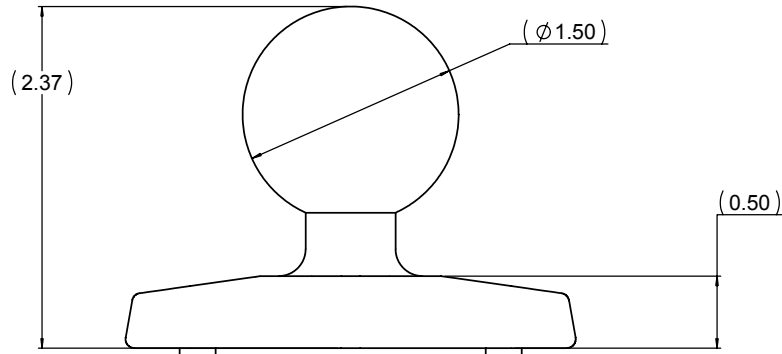


THE INFORMATION CONTAINED IN THIS DRAWING IS THE SOLE PROPERTY OF NATIONAL PRODUCTS INC. ANY REPRODUCTION IN PART OR WHOLE WITHOUT THE WRITTEN PERMISSION OF NATIONAL PRODUCTS INC. IS PROHIBITED.

REVISIONS		DATE	APPROVED
REV.	DESCRIPTION		



UNLESS OTHERWISE SPECIFIED DIMENSIONS ARE IN INCHES		CAD GENERATED DRAWING. DO NOT MANUALLY UPDATE		NATIONAL PRODUCTS INC.	
TOLERANCES ARE:		APPROVALS		DATE	
FRACTIONS: DECIMALS		DRAWN JDC		04/20/01	
+/- 1/32 .XX+-.06 +-.1 DEG.		CHECKED CMR		04/20/01	
.XXX+-.030		MFG ENG			
MATERIAL ALUMINUM		REP ENG			
FINISH BLACK POWDER COAT		MFG ENG			
DO NOT SCALE DRAWING		QUAL ENG			
		SCALE 1 TO 1		CAD FILE: RAM24717	
		SHEET 1 OF 1		REV.	
				RAM-247-17	