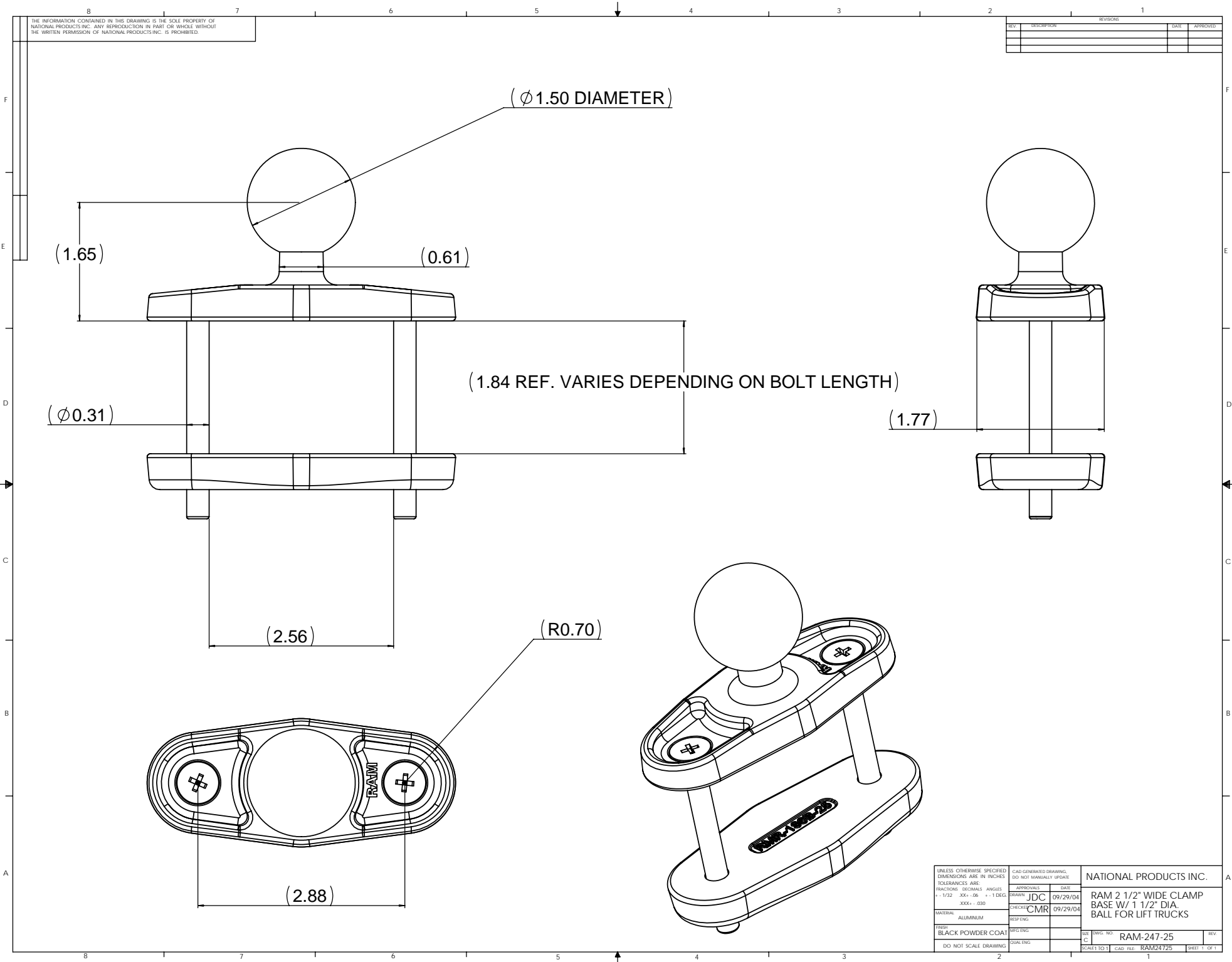


THE INFORMATION CONTAINED IN THIS DRAWING IS THE SOLE PROPERTY OF NATIONAL PRODUCTS INC. ANY REPRODUCTION IN PART OR WHOLE WITHOUT THE WRITTEN PERMISSION OF NATIONAL PRODUCTS INC. IS PROHIBITED.

REV.	DESCRIPTION	DATE	APPROVED



UNLESS OTHERWISE SPECIFIED DIMENSIONS ARE IN INCHES TOLERANCES ARE: FRACTIONS DECIMALS ANGLES +/- 1/32 XXXX-06 +/- 1 DEG. XXX- - .030	CAD GENERATED DRAWING DO NOT MANUALLY UPDATE APPROVALS: DATE DRAWN JDC 09/29/04 CHECKED CMR 09/29/04 RESP. ENG.	NATIONAL PRODUCTS INC. RAM 2 1/2" WIDE CLAMP BASE W/ 1 1/2" DIA. BALL FOR LIFT TRUCKS
MATERIAL: ALUMINUM	FINISH: BLACK POWDER COAT	ISS. DATE: 09/29/04
DO NOT SCALE DRAWING	DRAWN: JDC	SCALE: 1:1
		CAD FILE: RAM24725
		SHEET 1 OF 1