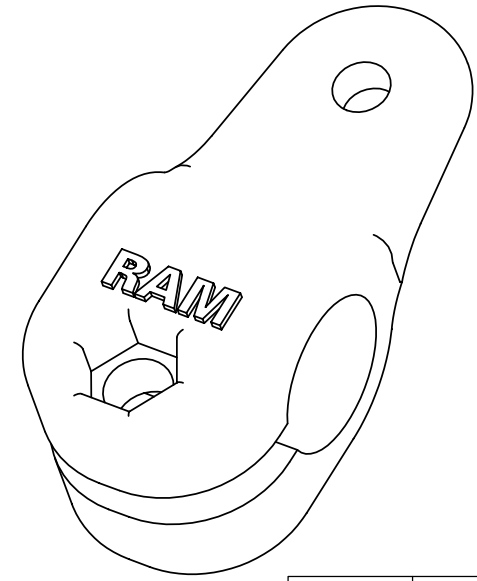
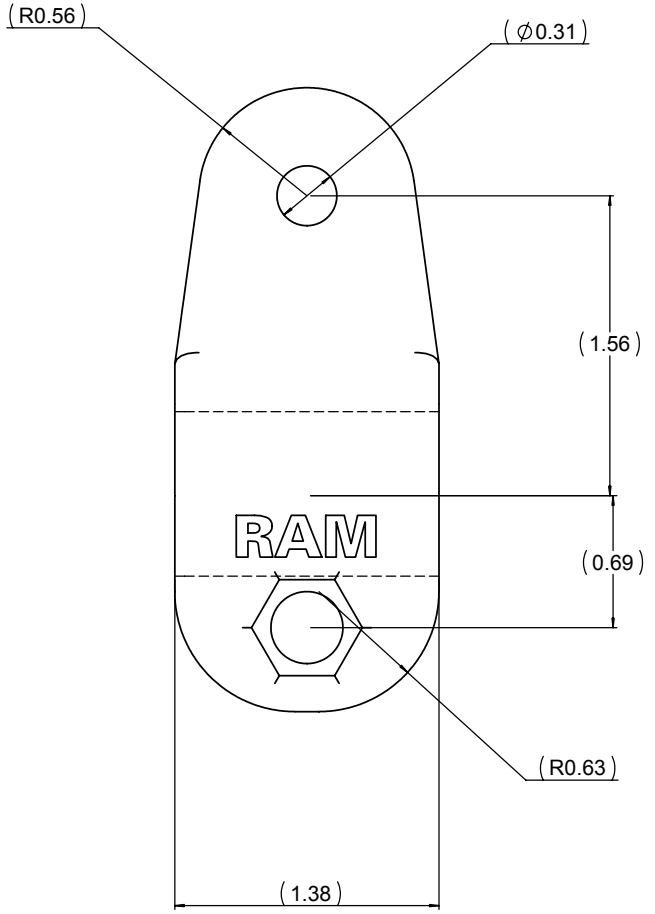
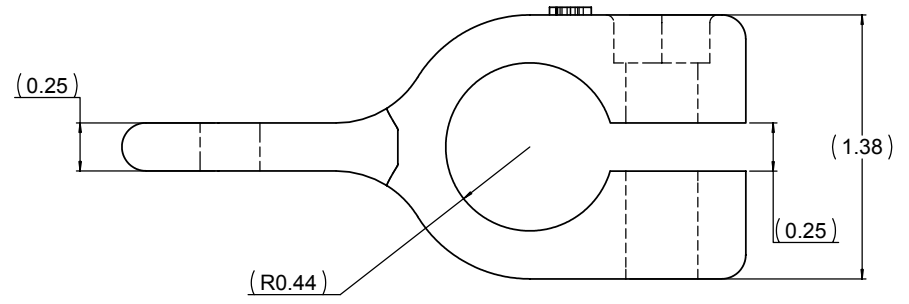
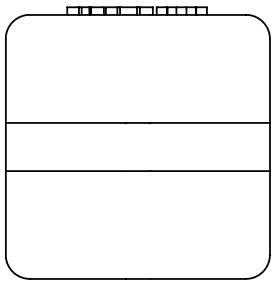


THE INFORMATION CONTAINED IN THIS DRAWING IS THE SOLE PROPERTY OF NATIONAL PRODUCTS INC. ANY REPRODUCTION IN PART OR WHOLE WITHOUT THE WRITTEN PERMISSION OF NATIONAL PRODUCTS INC. IS PROHIBITED.

REV.	DESCRIPTION	DATE	APPROVED



UNLESS OTHERWISE SPECIFIED DIMENSIONS ARE IN INCHES TOLERANCES ARE: FRACTIONS: DECIMALS ANGLES +/- 1/32 .XXX+/- .06 +/- 1 DEG. .XXX+/- .030		C-AD GENERATED DRAWING. DO NOT MANUALLY UPDATE		NATIONAL PRODUCTS INC.	
APPROVALS		DATE		RAM TRI & BI-POD LEG CONNECTOR FOR PEDESTAL	
DRAWN: JDC		07/24/01		REV.	
CHECKED: CMR		07/24/01		PART NO.: RAM-266	
MATERIAL: ALUMINUM		RESP. ENG.		SCALE: 1 TO 1	
FINISH: BLACK POWDER COAT		MFG. ENG.		C/D FILE: RAM266	
DO NOT SCALE DRAWING		QUAL. ENG.		SHEET 1 OF 1	