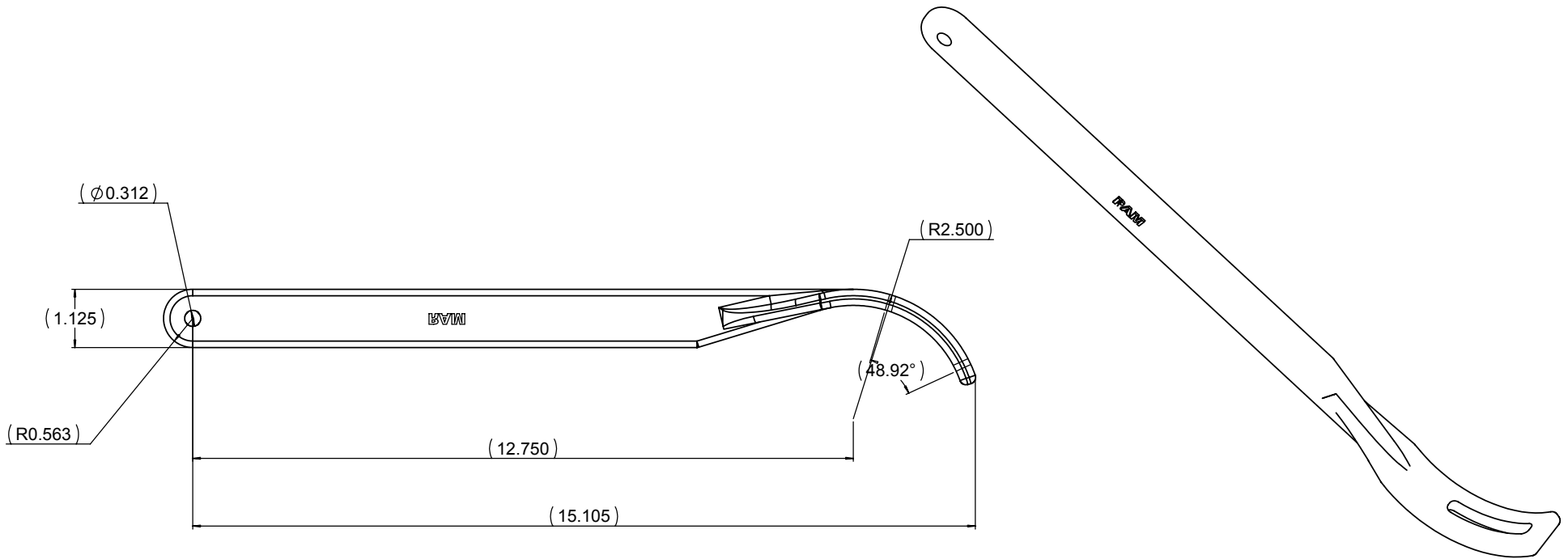
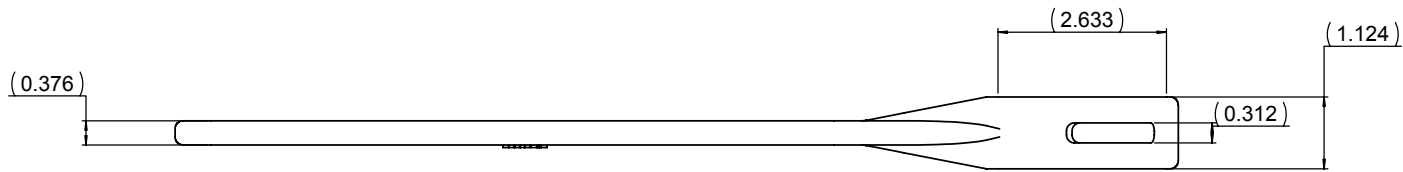


THE INFORMATION CONTAINED IN THIS DRAWING IS THE SOLE PROPERTY OF NATIONAL PRODUCTS INC. ANY REPRODUCTION IN PART OR WHOLE WITHOUT THE WRITTEN PERMISSION OF NATIONAL PRODUCTS INC. IS PROHIBITED.

REVISIONS		DATE	APPROVED
REV.	DESCRIPTION		



UNLESS OTHERWISE SPECIFIED DIMENSIONS ARE IN INCHES TOLERANCES ARE: FRACTIONS: DECIMALS ANGLES +/- 1/32 .XX+ .06 +1 DEG. .XXX+ .030	CAD GENERATED DRAWING. DO NOT MANUALLY UPDATE	NATIONAL PRODUCTS INC.	
MATERIAL: ALUMINUM	APPROVALS DRAWN: JDC CHECKED: [ ] RESP ENG: [ ]	DATE 07/24/01	REV.
FINISH: BLACK POWDER COAT	QUAL ENG: [ ]	SIZE C	SCALE: 1 TO 1
DO NOT SCALE DRAWING		DWG. NO.: RAM-267-L1	SHEET 1 OF 1
		CAD FILE: RAM267/L1	