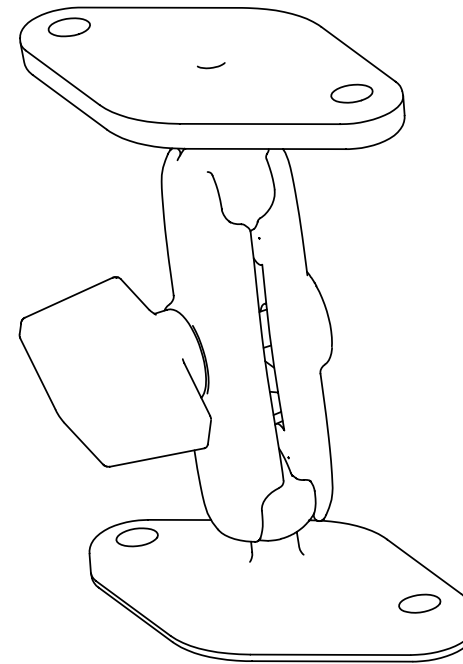
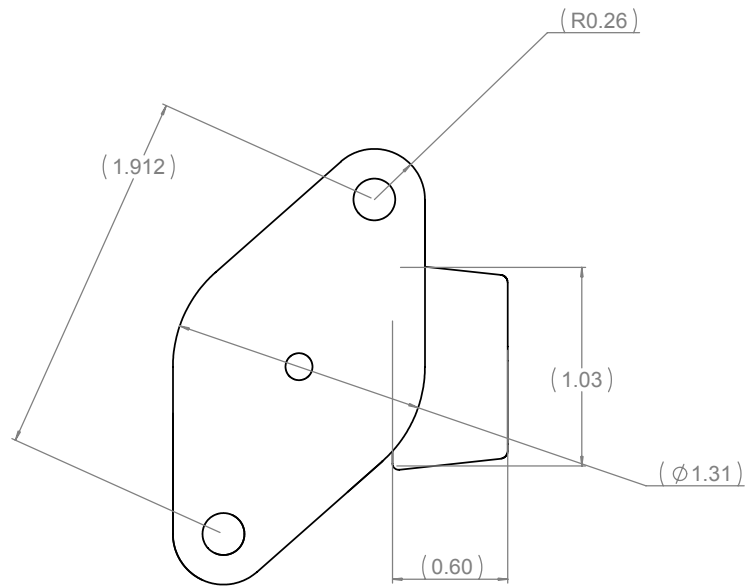
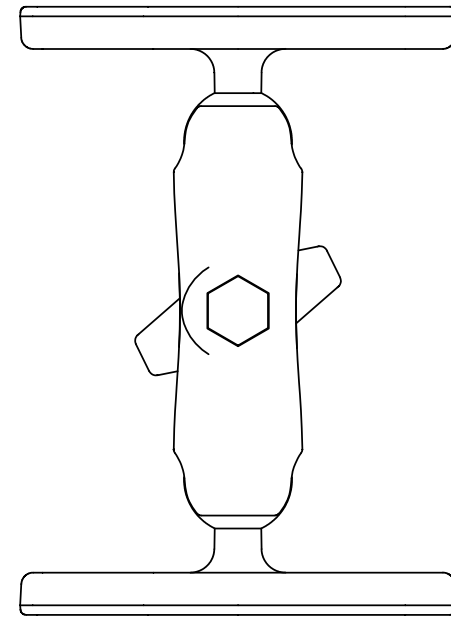
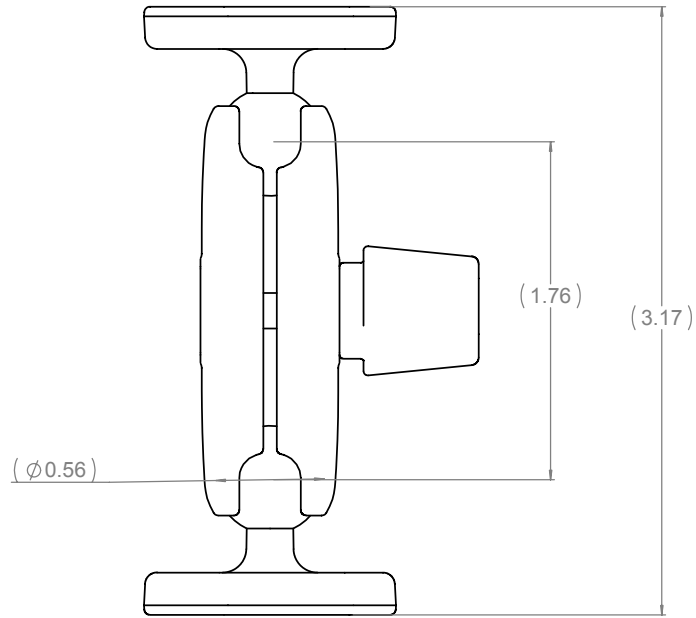


THE INFORMATION CONTAINED IN THIS DRAWING IS THE SOLE PROPERTY OF NATIONAL PRODUCTS INC. ANY REPRODUCTION IN PART OR WHOLE WITHOUT THE WRITTEN PERMISSION OF NATIONAL PRODUCTS INC. IS PROHIBITED.

REVISIONS		DATE	APPROVED
REV.	DESCRIPTION		



UNLESS OTHERWISE SPECIFIED DIMENSIONS ARE IN INCHES FRACTIONS: DECIMALS ANGLES + 1/32 .XX+ .03 + .1 DEG. .XXX+ .010	CAD GENERATED DRAWING DO NOT MANUALLY UPDATE		NATIONAL PRODUCTS INC.	
	APPROVALS	DATE	RAM DOUBLE BALL & SOCKET UNIVERSAL MOUNT WITH 9/16" DIA. RUBBER BALLS	
MATERIAL: 369.1 ALUMINUM	DRAWN JDC	03/18/03	CHECKED CMR	03/18/03
FINISH: BLACK POWDER COAT	REP ENG		QUAL ENG	
DO NOT SCALE DRAWING	SIZE	DWG. NO.	REV.	
	C	RAM-A-101		
		SCALE 1 TO 1	CAD FILE: RAMA101	SHEET 1 OF 1