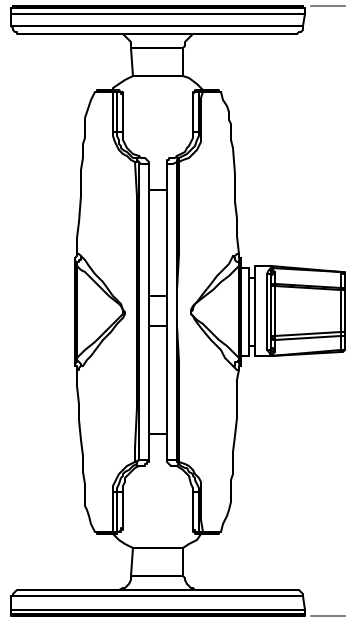
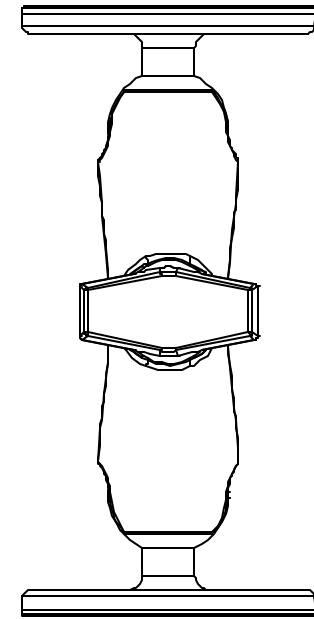
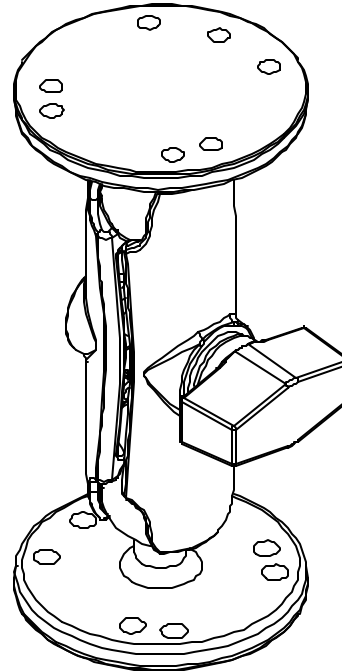


THE INFORMATION CONTAINED IN THIS DRAWING IS THE SOLE PROPERTY OF NATIONAL PRODUCTS INC. ANY REPRODUCTION IN PART OR WHOLE WITHOUT THE WRITTEN PERMISSION OF NATIONAL PRODUCTS INC. IS PROHIBITED.

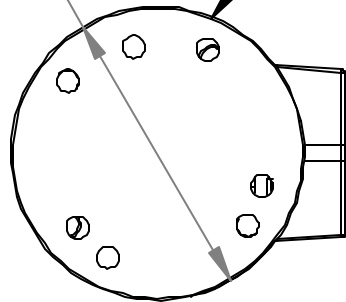


{ 4.75 REF. }



{ Ø2.44 }

SEE DRAWING RAM-B-202 FOR BASE DETAILS



ITEM NO.	PART OR IDENTIFYING NO.	NOMENCLATURE OR DESCRIPTION	MATERIAL SPECIFICATION	QTY RECD
PARTS LIST				
UNLESS OTHERWISE SPECIFIED DIMENSIONS ARE IN INCHES		CAD GENERATED DRAWING. DO NOT MANUALLY UPDATE		
TOLERANCES ARE:		APPROVALS		
FRACTIONS DECIMALS ANGLES		DATE		
+ - 1/32 .XX+ -.01 + - 1 DEG.		DRAWN JDC 4/18/99		
.XXX+ -.002		CHECKED CMR 04/20/01		
MATERIAL ALUMINUM		RESP ENG		
FINISH BLACK POWDER COAT		MFG ENG		
NEXT ASSY USED ON		QUAL ENG		
APPLICATION		DO NOT SCALE DRAWING		
		NATIONAL PRODUCTS INC. 1017 S. ELMGROVE ST. SEATTLE, WA 98108		
		RAM MOUNT WITH 2- 2.43" DIA. BASES & 1" DIA. RUBBER BALLS		
		SIZE A DWG. NO. RAM-B-101		REV.
		SCALE		CAD FILE: RAMB101 SHEET 1 OF 1