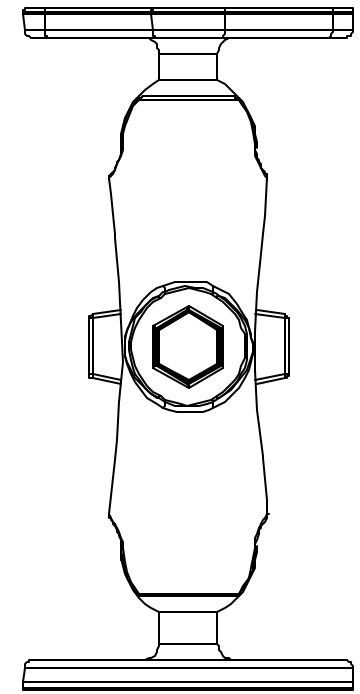
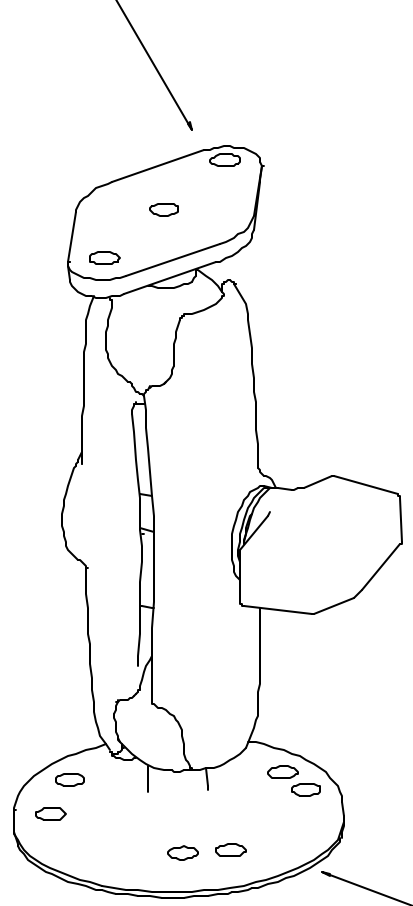
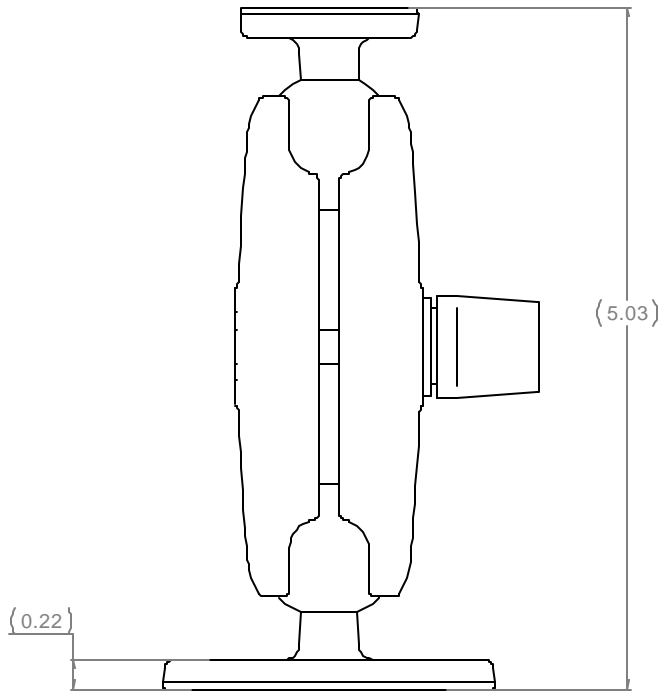


THE INFORMATION CONTAINED IN THIS DRAWING IS THE SOLE PROPERTY OF NATIONAL PRODUCTS INC. ANY REPRODUCTION IN PART OR WHOLE WITHOUT THE WRITTEN PERMISSION OF NATIONAL PRODUCTS INC. IS PROHIBITED.

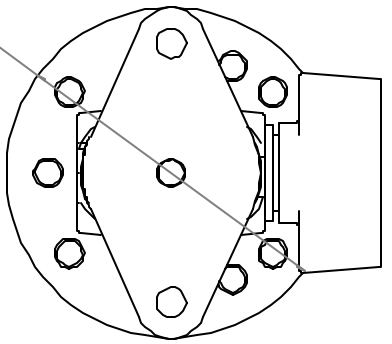
REV	DESCRIPTION	REVISION	DATE	APPROVED

SEE DRAWING RAM-B-238 FOR PLATE DETAILS



SEE DRAWING RAM-B-202 FOR PLATE DETAILS

($\phi 2.44$)



UNLESS OTHERWISE SPECIFIED DIMENSIONS ARE IN INCHES TOLERANCES ARE: FRACTIONS DECIMALS ANGLES - .125 - .XX - .00 - + .1 DIA XXX - .020	CAD GENERATED DRAWING DO NOT MANUALLY UPDATE		NATIONAL PRODUCTS INC.	
	APPROVALS	DATE	RAM MOUNT WITH 2- 2.43" DIA. BASES & 1" DIA. RUBBER BALLS	
DRAWN: JDC	04/20/01	CHECKED: CMR	04/20/01	REV
MATERIAL: ALUMINUM		REP: ENG		0
FRESH: BLACK POWDER COAT		DWG: ENG		RAM-B-138
DO NOT SCALE DRAWING		DWG: ENG		SCALE: 1" = 1" CAD: INE RAMB138 SHEET 1 OF 1