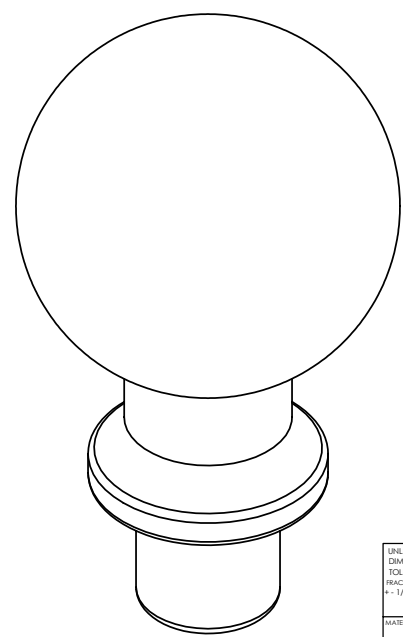
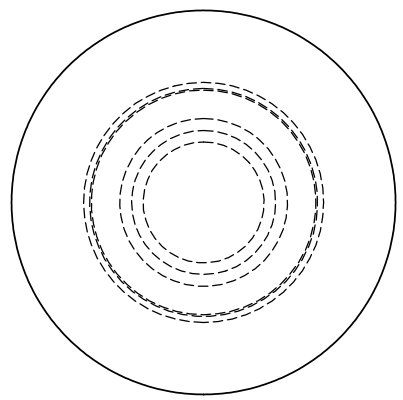
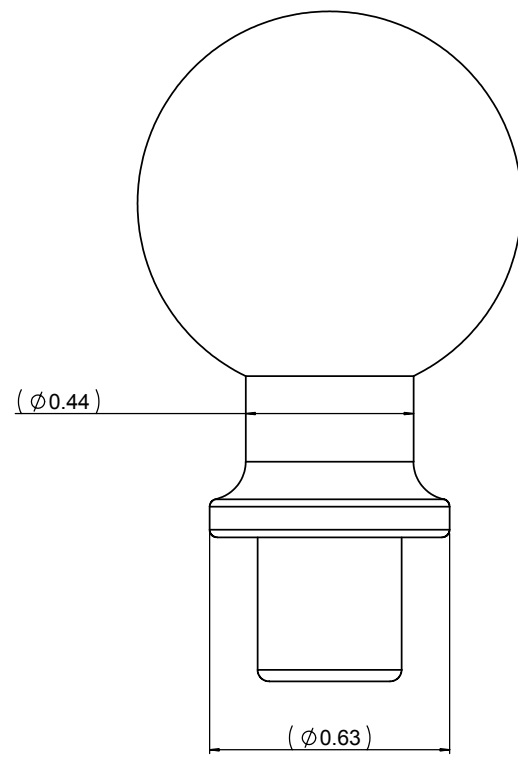
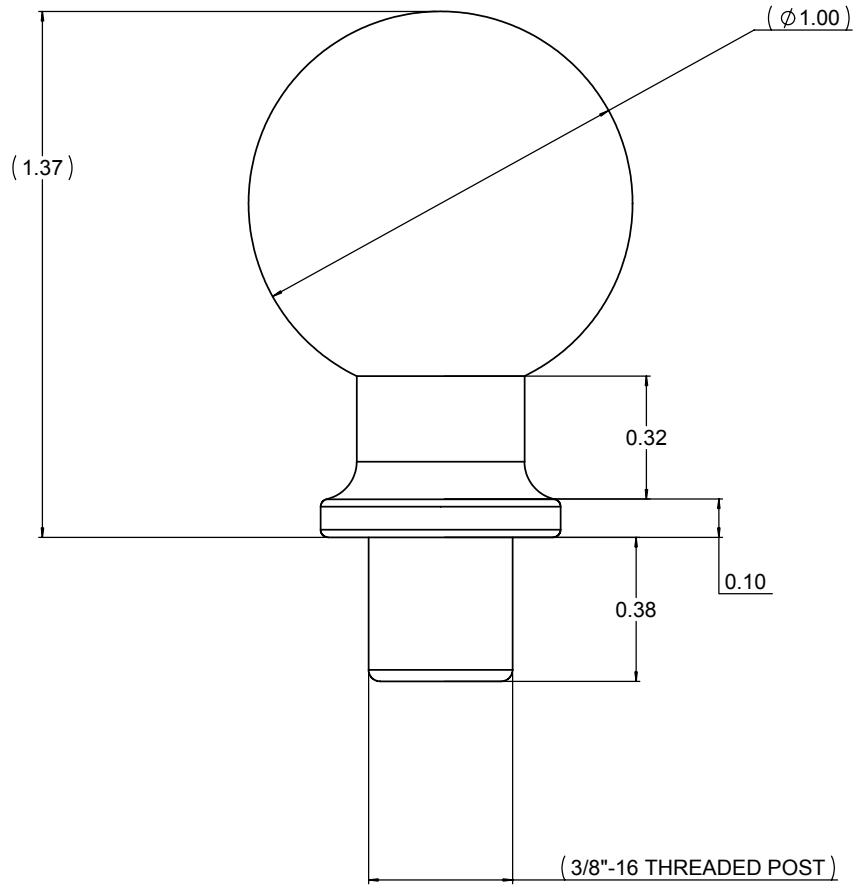


THE INFORMATION CONTAINED IN THIS DRAWING IS THE SOLE PROPERTY OF NATIONAL PRODUCTS INC. ANY REPRODUCTION IN PART OR WHOLE WITHOUT THE WRITTEN PERMISSION OF NATIONAL PRODUCTS INC. IS PROHIBITED.

REVISIONS		DATE	APPROVED
REV.	DESCRIPTION		



UNLESS OTHERWISE SPECIFIED DIMENSIONS ARE IN INCHES FRACTIONS: DECIMALS ANGLES +/- 1/32 .XXX+-.06 +/- 1 DEG. .XXX+-.030	CAD GENERATED DRAWING. DO NOT MANUALLY UPDATE	NATIONAL PRODUCTS INC.	
MATERIAL: ALUMINUM	APPROVALS: JDC 03/19/01	RAM BASE WITH 3/8"-16 THREADED POST AND 1" DIA. RUBBER BALL	
FINISH: PLAIN	CHECKED: CMR 04/20/01	ISS: C	REV: C
DO NOT SCALE DRAWING	QUAL ENG:	SCALE: 1 TO 1	CAD FILE: RAMB236 SHEET 1 OF 1