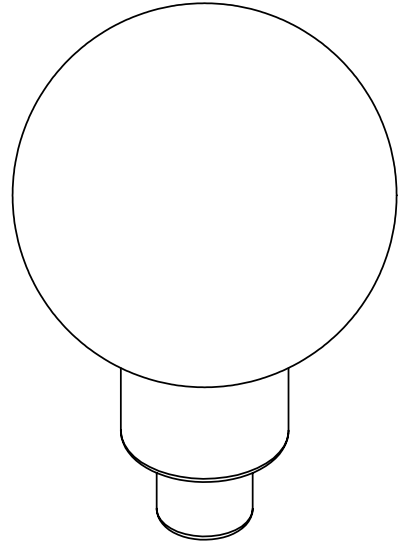
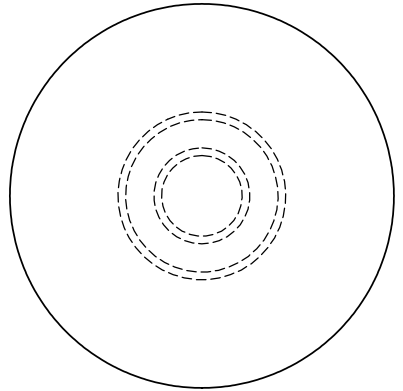
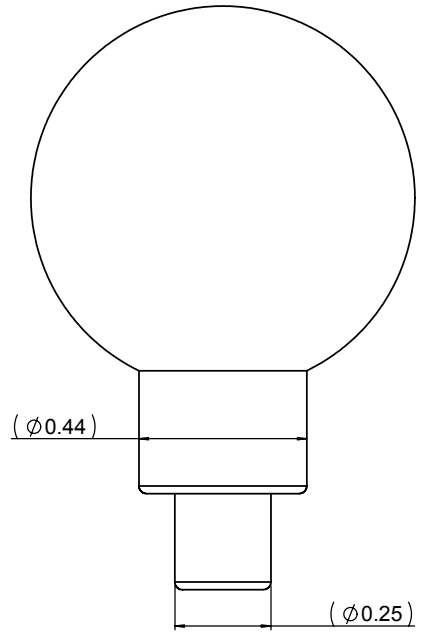
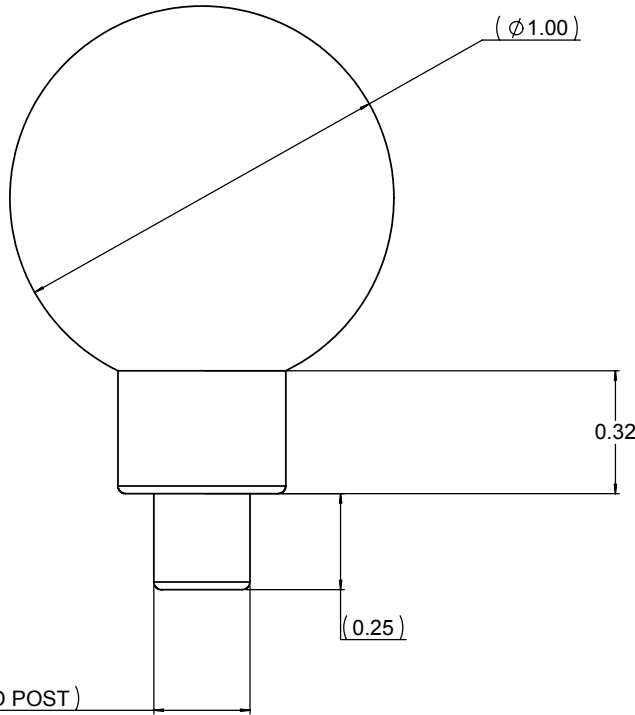


THE INFORMATION CONTAINED IN THIS DRAWING IS THE SOLE PROPERTY OF NATIONAL PRODUCTS INC. ANY REPRODUCTION IN PART OR WHOLE WITHOUT THE WRITTEN PERMISSION OF NATIONAL PRODUCTS INC. IS PROHIBITED.

REVISIONS		DATE	APPROVED
REV.	DESCRIPTION		



UNLESS OTHERWISE SPECIFIED DIMENSIONS ARE IN INCHES TOLERANCES ARE: FRACTIONS: DECIMALS ANGLES +/- 1/32 .XX+-.03 +/- 1 DEG. .XXX+-.010	CAD GENERATED DRAWING. DO NOT MANUALLY UPDATE	NATIONAL PRODUCTS INC.	
APPROVALS	DATE	RAM BASE WITH 1/4"-20 THREADED POST AND 1" DIA. RUBBER BALL	
DRAWN JDC	03/19/01	SIZE	RAM-B-237
CHECKED CMR	04/20/01	SCALE 1 TO 1	CAD FILE: RAMB237
MATERIAL ALUMINUM	RESP ENG	REV.	
FINISH PLAIN	QUAL ENG	SHEET 1 OF 1	