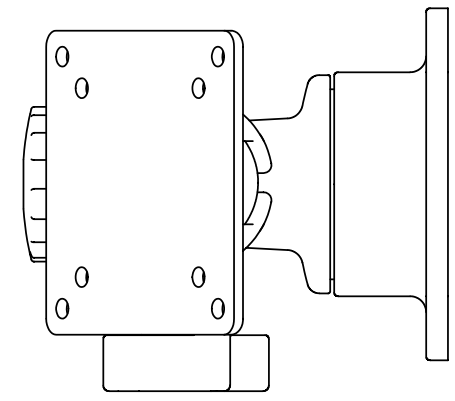
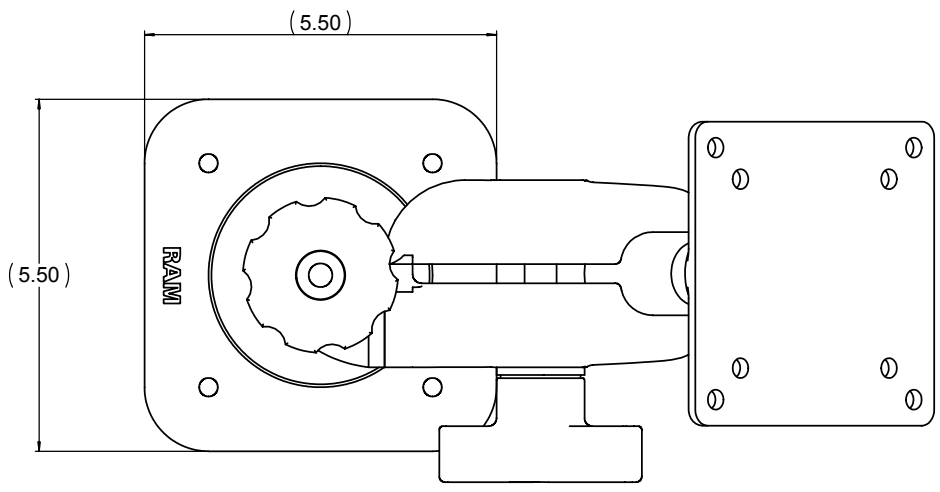
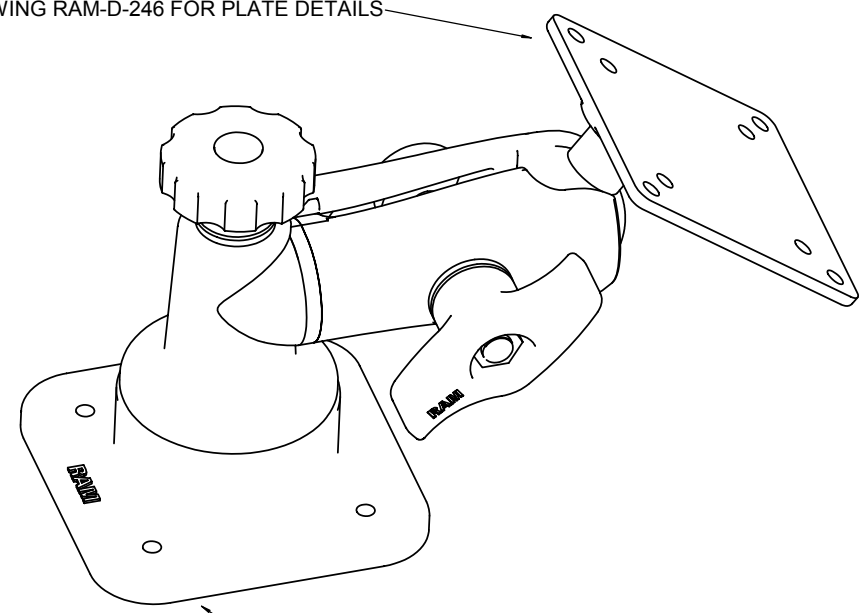
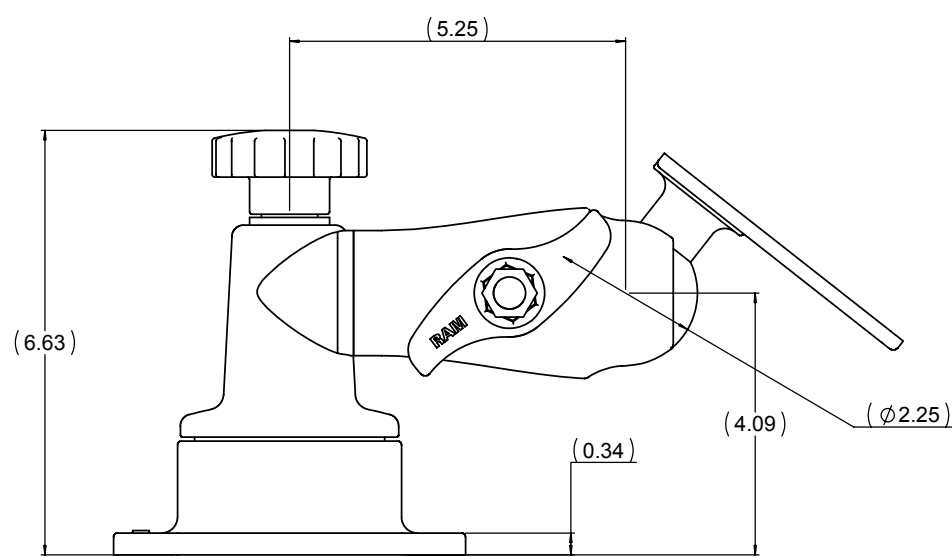


THE INFORMATION CONTAINED IN THIS DRAWING IS THE SOLE PROPERTY OF NATIONAL PRODUCTS INC. ANY REPRODUCTION IN PART OR WHOLE WITHOUT THE WRITTEN PERMISSION OF NATIONAL PRODUCTS INC. IS PROHIBITED.

REV.		DESCRIPTION	REVISIONS	DATE	APPROVED



SEE DRAWING RAM-D-246 FOR PLATE DETAILS



SEE DRAWING RAM-162H FOR BRACKET DETAILS

UNLESS OTHERWISE SPECIFIED DIMENSIONS ARE IN INCHES TOLERANCES ARE: FRACTIONS: DECIMALS ANGLES +/- 1/32 .XXX+-.06 +/- 1 DEG. .XXX+-.030	CAD GENERATED DRAWING. DO NOT MANUALLY UPDATE		NATIONAL PRODUCTS INC.	
	APPROVALS	DATE	RAM HORIZONTAL SWING ARM WITH 2 1/4" BALL AND VESA PLATE FOR MC MASTER CARR	
MATERIAL: ALUMINUM	DRAWN JDC	06/22/01	CHECKED CMR	06/22/01
FINISH: BLACK POWDER COAT	REP. ENG.		MFG. ENG.	
DO NOT SCALE DRAWING	QUAL. ENG.		SIZE	SWG. NO. REV.
			C	RAM-162H-MC2
			SCALE 1 TO 1	CAD FILE: RAM162HMC2 SHEET 1 OF 1