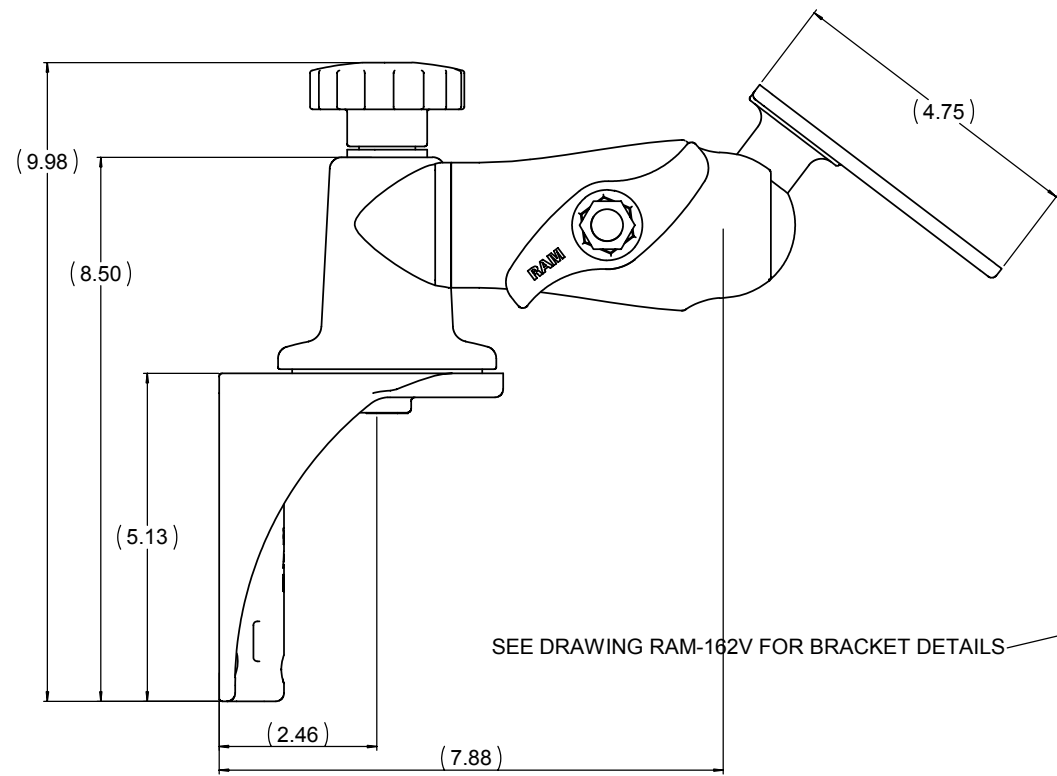
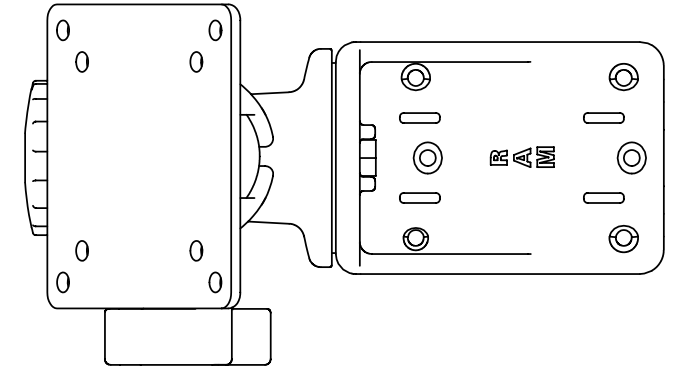
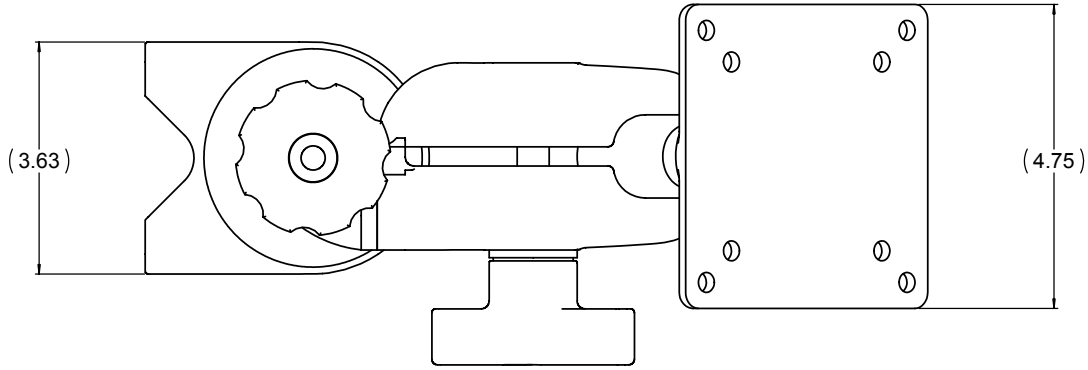
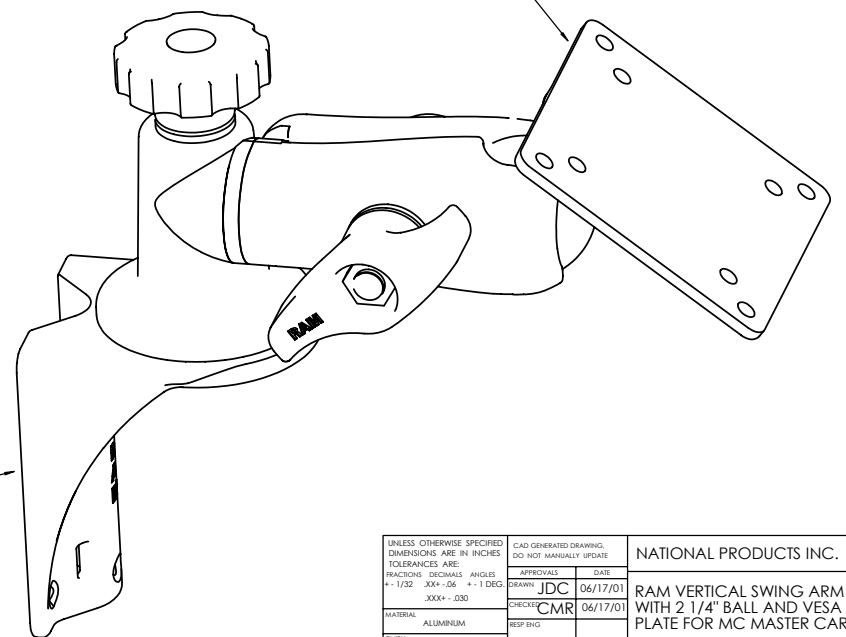


THE INFORMATION CONTAINED IN THIS DRAWING IS THE SOLE PROPERTY OF NATIONAL PRODUCTS INC. ANY REPRODUCTION IN PART OR WHOLE WITHOUT THE WRITTEN PERMISSION OF NATIONAL PRODUCTS INC. IS PROHIBITED.

REV.		DESCRIPTION	REVISIONS	DATE	APPROVED



SEE DRAWING RAM-D-246 FOR PLATE DETAILS



SEE DRAWING RAM-162V FOR BRACKET DETAILS

UNLESS OTHERWISE SPECIFIED DIMENSIONS ARE IN INCHES TOLERANCES ARE: FRACTIONS: DECIMALS ANGLES +/- 1/32 .XXX+ .06 +/- 1 DEG. .XXX+ .030		CAD GENERATED DRAWING. DO NOT MANUALLY UPDATE		NATIONAL PRODUCTS INC.	
APPROVALS		DATE		DRAWN	
JDC		06/17/01		CMR	
CHECKED		06/17/01		MFG ENG	
MATERIAL		ALUMINUM		QUAL ENG	
FINISH		BLACK POWDER COAT		SCALE: 1 TO 1	
DO NOT SCALE DRAWING		C		PART NO: RAM-162V-MC2	
				REV. 1 OF 1	