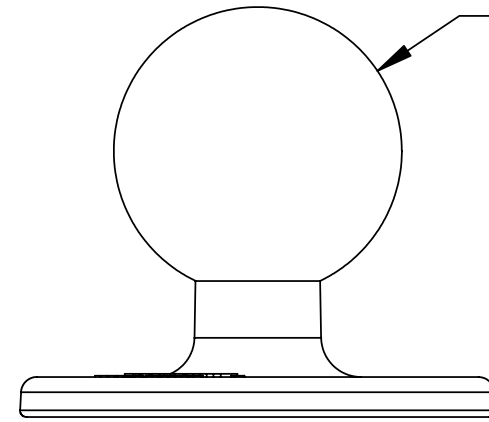
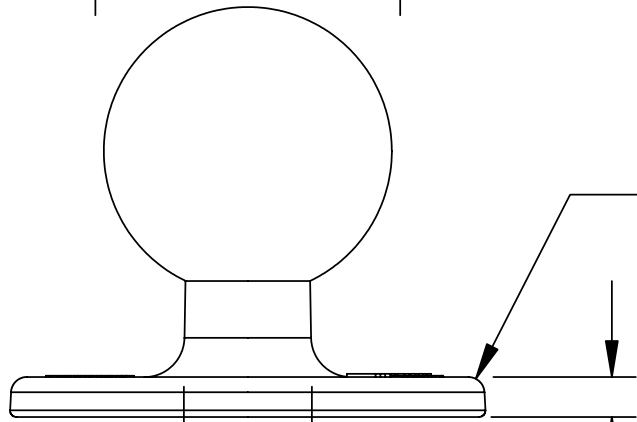
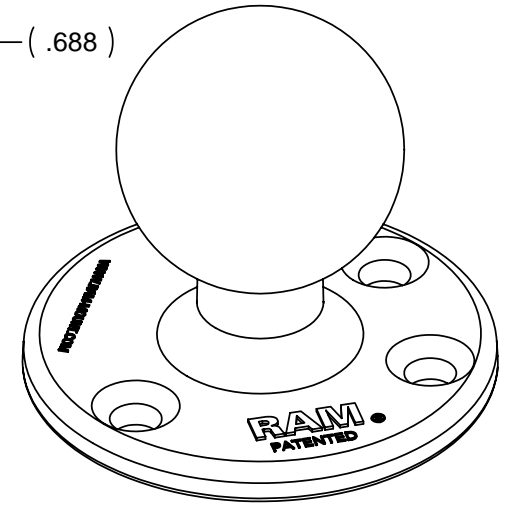
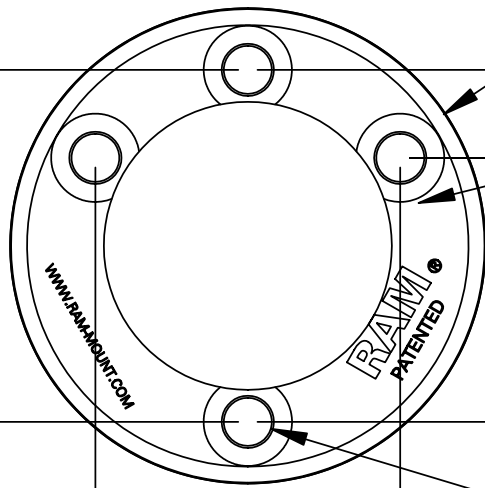


THE INFORMATION CONTAINED IN THIS DRAWING IS THE SOLE PROPERTY OF NATIONAL PRODUCTS INC. ANY REPRODUCTION IN PART OR WHOLE WITHOUT THE WRITTEN PERMISSION OF NATIONAL PRODUCTS INC. IS PROHIBITED.



$\phi 3.687$
 $\phi 2.750$ HOLE CENTERS
 $(.688)$
 (2.750)
 (2.063)
 $\phi .375$ 3- 120 DEG. & 1- 180 DEG.
 (2.382)

$\phi 1.000$

| | |
|-------------|---------|
| | |
| | |
| NEXT ASSY | USED ON |
| APPLICATION | |

| ITEM NO. | PART OR IDENTIFYING NO. | NOMENCLATURE OR DESCRIPTION | MATERIAL SPECIFICATION | QTY RECD |
|---|-------------------------|---|------------------------|---|
| PARTS LIST | | | | |
| UNLESS OTHERWISE SPECIFIED DIMENSIONS ARE IN INCHES | | CAD GENERATED DRAWING, DO NOT MANUALLY UPDATE | | NATIONAL PRODUCTS INC. 1017 S. ELMGROVE ST. SEATTLE, WA 98108 |
| TOLERANCES ARE: | | APPROVALS | DATE | |
| FRACTIONS | DECIMALS | ANGLES | | RAM 2 11/16" DIA. BASE WITH 2 1/4" DIA. RUBBER BALL |
| + - 1/32 | .XX+ -.06 | + - 1 DEG. | DRAWN JDC 01/12/01 | |
| | .XXX+ -.030 | | CHECKED CMR 04/20/01 | |
| | | | RESP ENG | |
| MATERIAL | ALUMINUM | | MFG ENG | |
| FINISH | BLACK POWDER COAT | | QUAL ENG | |
| DO NOT SCALE DRAWING | | | | |
| SIZE A | DWG. NO. RAM-D-202 | | REV. | |
| SCALE | CAD FILE: RAMD202 | SHEET 1 OF 1 | | |