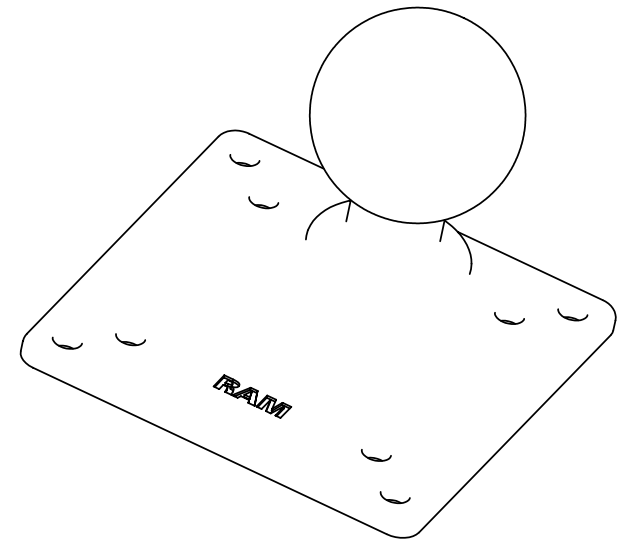
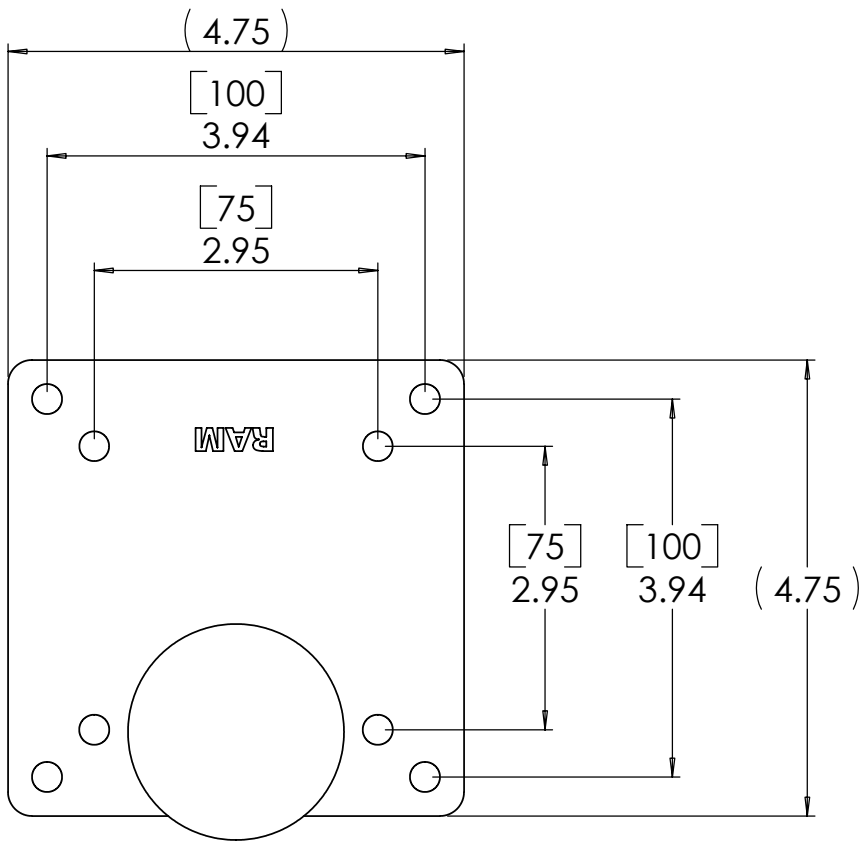
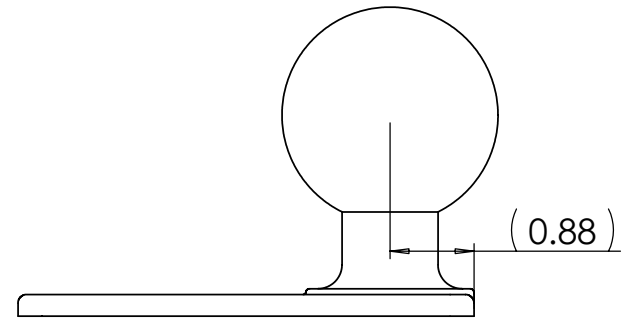
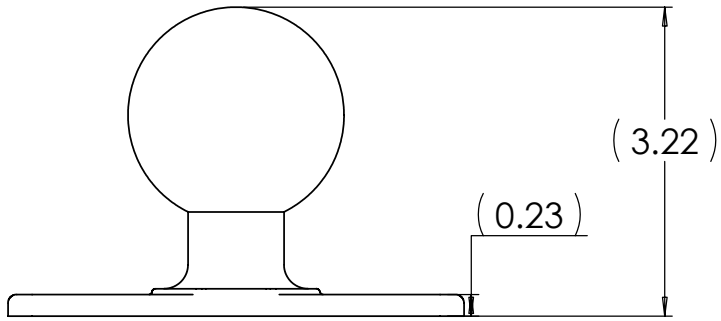


THE INFORMATION CONTAINED IN THIS DRAWING IS THE SOLE PROPERTY OF NATIONAL PRODUCTS INC. ANY REPRODUCTION IN PART OR WHOLE WITHOUT THE WRITTEN PERMISSION OF NATIONAL PRODUCTS INC. IS PROHIBITED.



UNLESS OTHERWISE SPECIFIED DIMENSIONS ARE IN INCHES TOLERANCES ARE: FRACTIONS DECIMALS ANGLES + - 1/32 .XX+ -.06 + - 1 DEG. .XXX+ -.030	CAD GENERATED DRAWING. DO NOT MANUALLY UPDATE		NATIONAL PRODUCTS INC. 1017 S. ELMGROVE ST. SEATTLE, WA 98108	
	APPROVALS	DATE	RAM 4 3/4" SQUARE BASE WITH 100 X 100 & 75 X 75 HOLES (VESA) 2 1/4" DIA. BALL	
DRAWN JDC	08/18/00	CHECKED CMR		
MATERIAL ALUMINUM	RESP ENG		SIZE DWG. NO. REV. A RAM-D-246	
FINISH BLACK POWDER COAT	MFG ENG	SCALE		CAD FILE: RAMD246 SHEET 1 OF 1
DO NOT SCALE DRAWING	QUAL ENG			