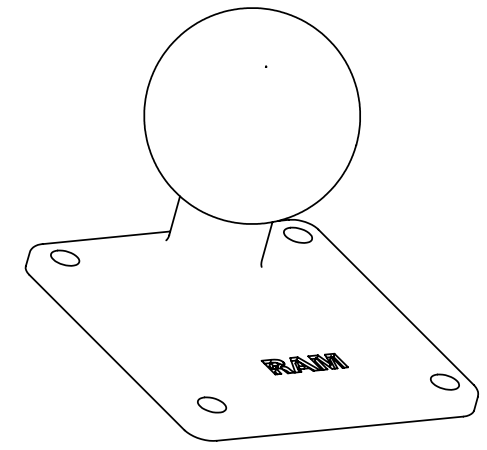
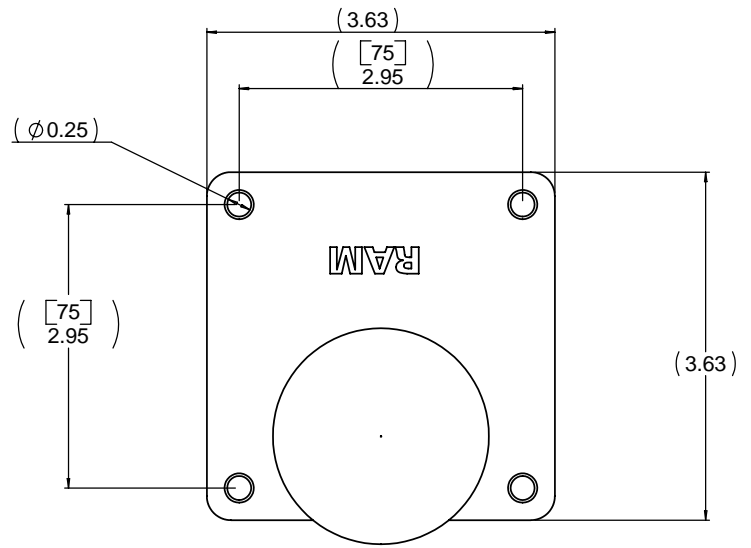
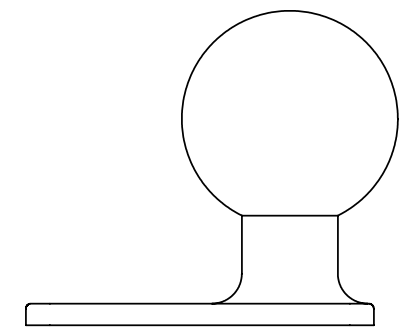
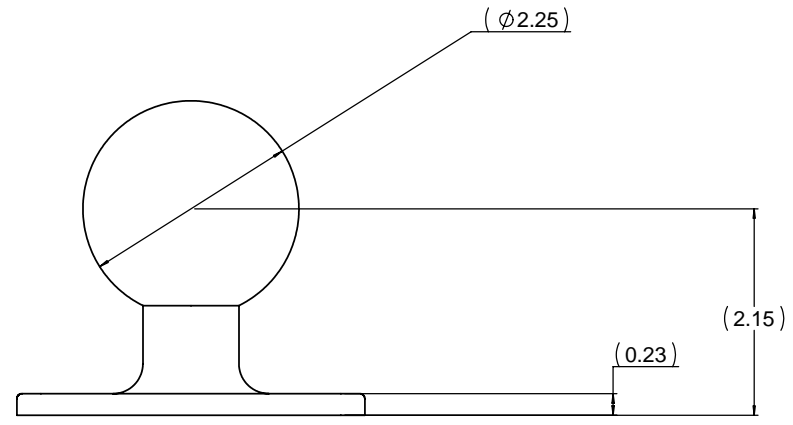


THE INFORMATION CONTAINED IN THIS DRAWING IS THE SOLE PROPERTY OF NATIONAL PRODUCTS INC. ANY REPRODUCTION IN PART OR WHOLE WITHOUT THE WRITTEN PERMISSION OF NATIONAL PRODUCTS INC. IS PROHIBITED.

REV		DESCRIPTION	DATE	APPROVED



UNLESS OTHERWISE SPECIFIED DIMENSIONS ARE IN INCHES TOLERANCES ARE: FRACTIONS DECIMALS ANGLES + 1/32 - .06 + .1 DEG. XXX+ - .030	CAD GENERATED DRAWING. DO NOT MANUALLY UPDATE		NATIONAL PRODUCTS INC.	
	APPROVALS	DATE	RAM 75 X 75 MIL. VESA BASE WITH 2 1/4" DIAMETER BALL	
MATERIAL: ALUMINUM	DRAWN JDC	07/05/01	ISS: C	REV
FINISH: BLACK POWDER COAT	CHECKED		SCALE 1 TO 1	CAD FILE: RAMD2461
DO NOT SCALE DRAWING	INSPECTION		SHEET 1 OF 1	