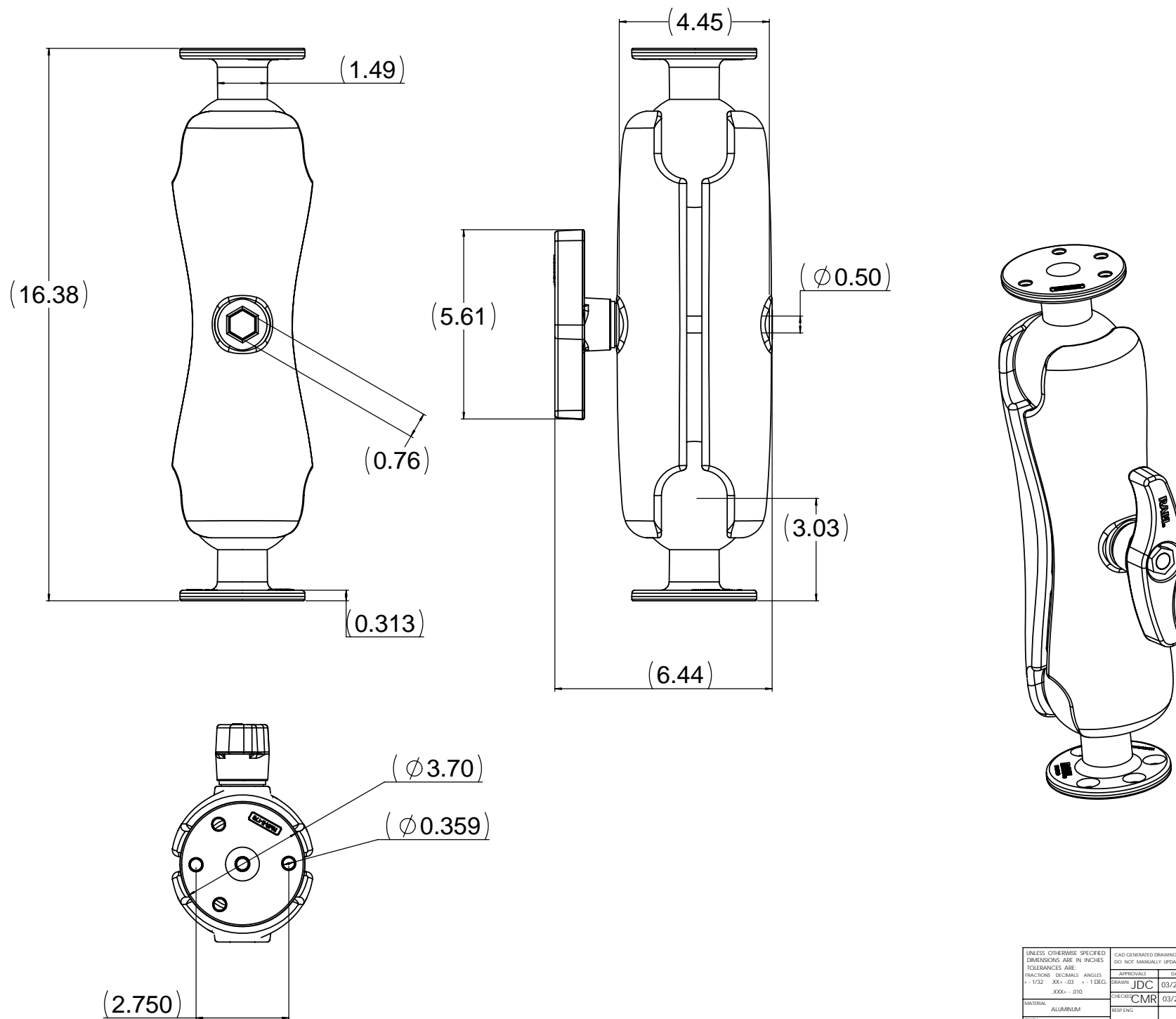


THE INFORMATION CONTAINED IN THIS DRAWING IS THE SOLE PROPERTY OF NATIONAL PRODUCTS INC. ANY REPRODUCTION IN PART OR WHOLE WITHOUT THE WRITTEN PERMISSION OF NATIONAL PRODUCTS INC. IS PROHIBITED.

REV	DESCRIPTION	REVISIONS	DATE	APPROVED



UNLESS OTHERWISE SPECIFIED DIMENSIONS ARE IN INCHES TOLERANCES ARE: FRACTIONS: DECIMALS: ANGLES: + 1/32 XX + .03 + 1 DEG. XXX + .010	CAD GENERATED DRAWING. DO NOT MANUALLY UPDATE		NATIONAL PRODUCTS INC.	
	APPROVALS	DATE	RAM E SIZE DOUBLE SOCKET ARM MOUNT WITH 3 3/8" DIAMETER RUBBER BALLS	
	DRAWN JDC	03/26/07		
	CHECKED CMR	03/26/07	MATERIAL: ALUMINUM	
DRAWN	DATE	ISS: NPI	REV	
RES'P ENG		DATE	REV	
MFG ENG		SCALE: 1 TO 1	CAD: TEL: RAME101	SHEET 1 OF 1
QUAL ENG				