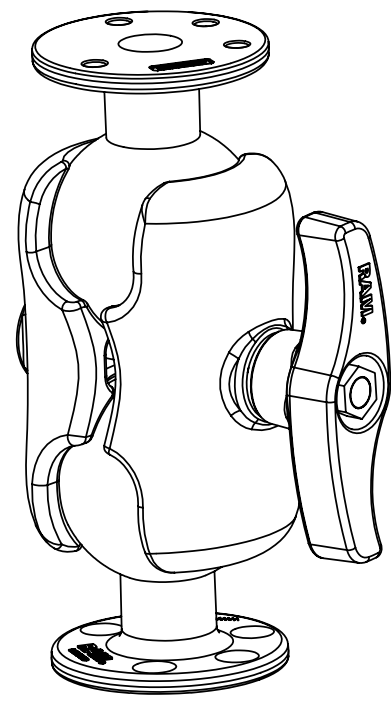
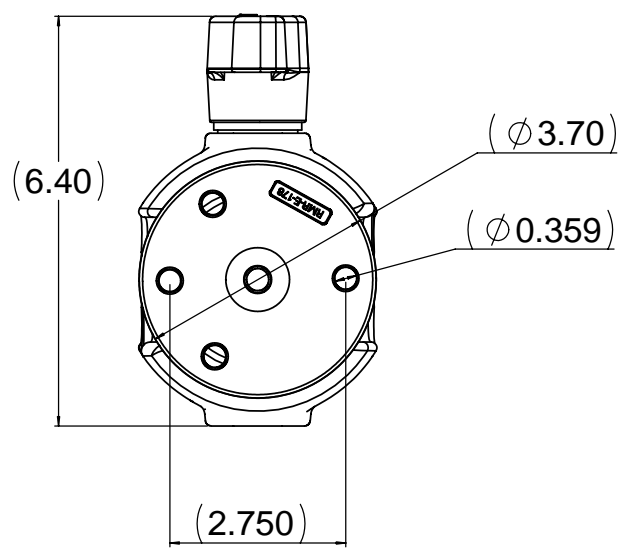
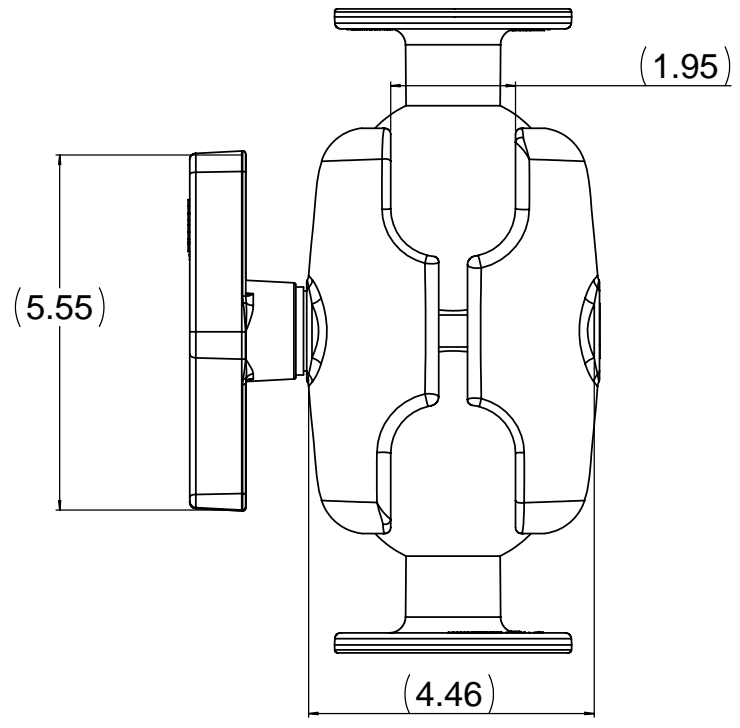
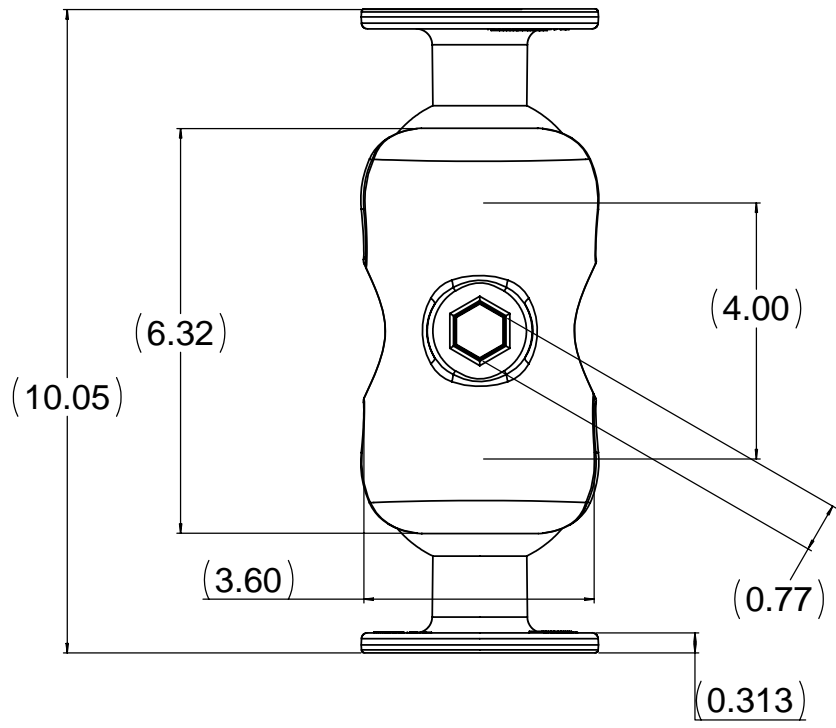


THE INFORMATION CONTAINED IN THIS DRAWING IS THE SOLE PROPERTY OF NATIONAL PRODUCTS INC. ANY REPRODUCTION IN PART OR WHOLE WITHOUT THE WRITTEN PERMISSION OF NATIONAL PRODUCTS INC. IS PROHIBITED.

REV		DESCRIPTION	REVISIONS	DATE	APPROVED



UNLESS OTHERWISE SPECIFIED DIMENSIONS ARE IN INCHES TOLERANCES ARE: FRACTIONS: DECIMALS: ANGLES: + 1/32 -XX+ .03 +-1 DEG. .XXX+ .010	CAD GENERATED DRAWING. DO NOT MANUALLY UPDATE		NATIONAL PRODUCTS INC.	
	APPROVALS	DATE	RAM E DOUBLE SOCKET ARM MOUNT IN D LENGTH	
MATERIAL: ALUMINUM	DRAWN JDC	03/26/07	ISS: []	REV: []
FRESH BLACK	CHECKED CMR	03/26/07	SCALE: 1 TO 1	CAD: TEL: RAME.TOTD
DO NOT SCALE DRAWING	DESIGN ENG	QUAL ENG	SHEET 1 OF 1	