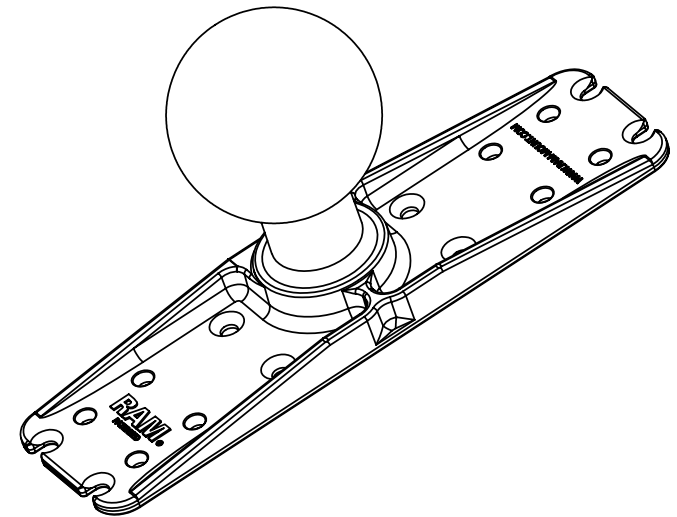
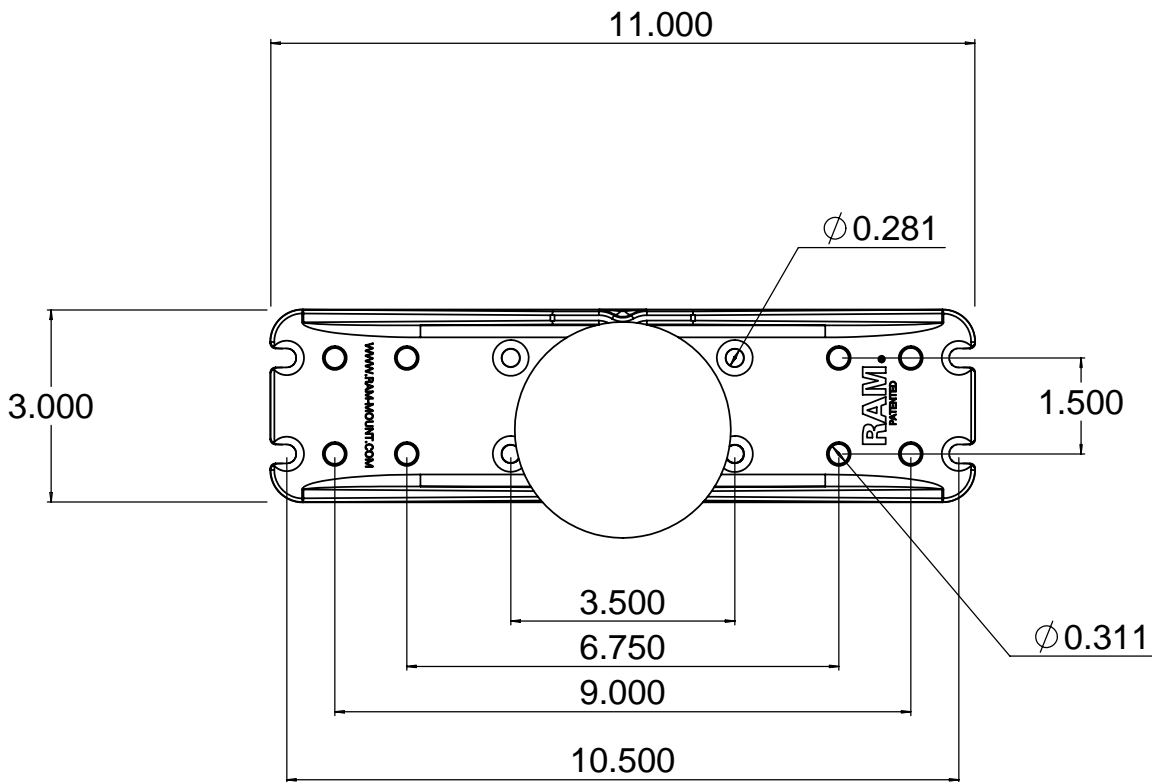
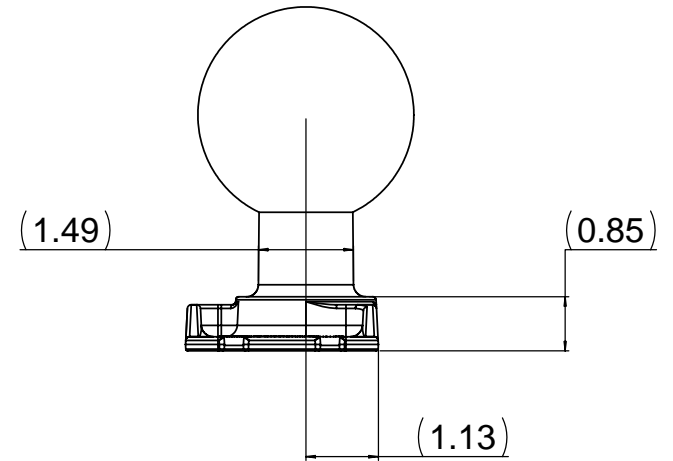
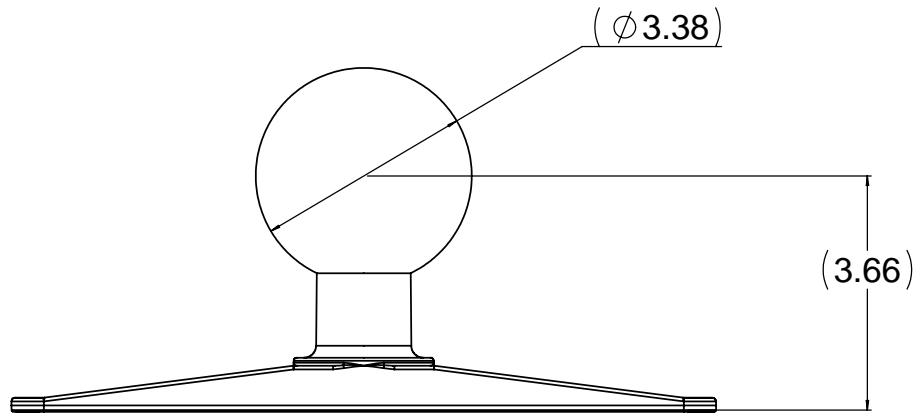


THE INFORMATION CONTAINED IN THIS DRAWING IS THE SOLE PROPERTY OF NATIONAL PRODUCTS INC. ANY REPRODUCTION IN PART OR WHOLE WITHOUT THE WRITTEN PERMISSION OF NATIONAL PRODUCTS INC. IS PROHIBITED.

REV.		DESCRIPTION	REVISIONS	DATE	APPROVED



UNLESS OTHERWISE SPECIFIED DIMENSIONS ARE IN INCHES TOLERANCES ARE: FRACTIONS: DECIMALS: ANGLES: + 1/32 - .003 + .1 DEG. .XXX - .010		CAD GENERATED DRAWING. DO NOT MANUALLY UPDATE.		NATIONAL PRODUCTS INC.	
APPROVALS		DATE		DRAWN	
DRAWN JDC		03/26/07		CHECKED CMR	
MATERIAL ALUMINUM		RESP. ENG.		SCALE 1 TO 1	
FINISH BLACK		MFG. ENG.		SHEET NO. RAM-E-111B	
DO NOT SCALE DRAWING		QUAL. ENG.		CAD. TEL: RAME111B	
				SHEET 1 OF 1	