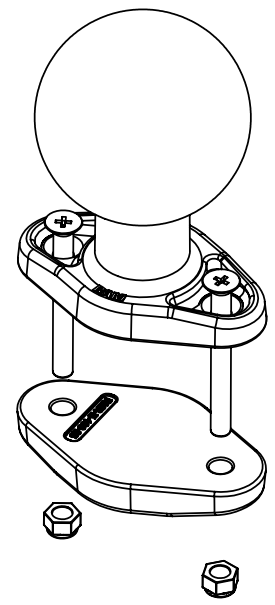
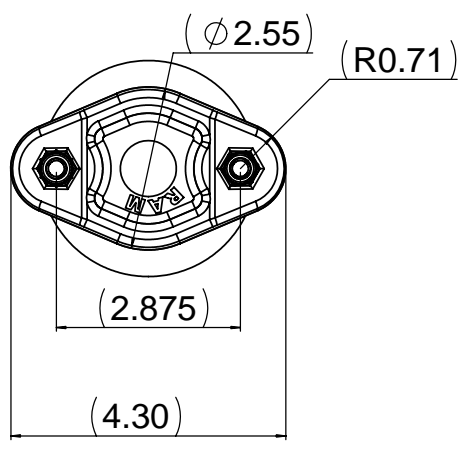
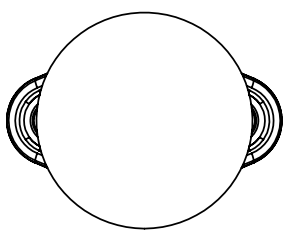
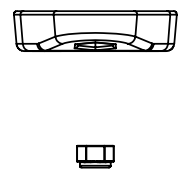
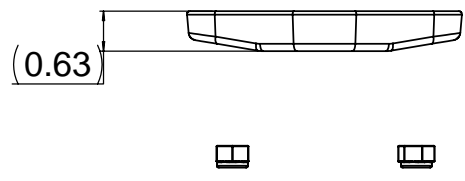
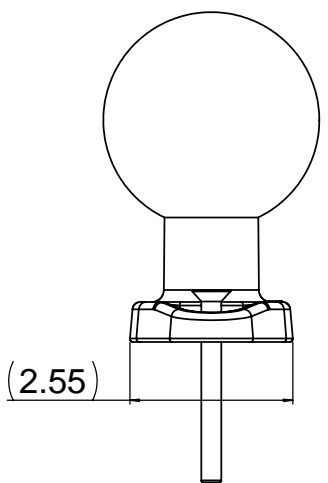
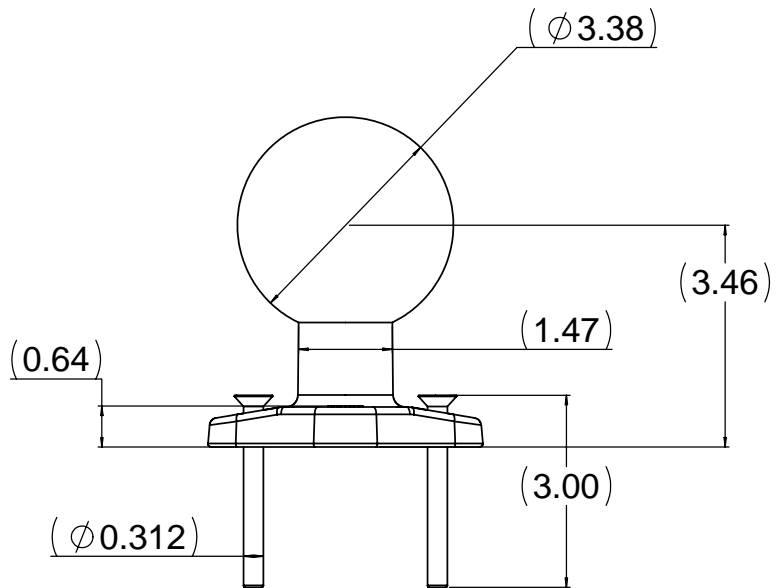


THE INFORMATION CONTAINED IN THIS DRAWING IS THE SOLE PROPERTY OF NATIONAL PRODUCTS INC. ANY REPRODUCTION IN PART OR WHOLE WITHOUT THE WRITTEN PERMISSION OF NATIONAL PRODUCTS INC. IS PROHIBITED.

REV		DESCRIPTION		REVISIONS		DATE	APPROVED



UNLESS OTHERWISE SPECIFIED DIMENSIONS ARE IN INCHES		CAD GENERATED DRAWING. DO NOT MANUALLY UPDATE		NATIONAL PRODUCTS INC.	
TOLERANCES ARE:		APPROVALS	DATE	RAM 2 1/2" TUBING CLAMP BASE WITH 3 3/8" DIAMETER RUBBER BALL	
FRACTIONS	DECIMALS	DRAWN JDC	03/26/07		
+ 1/32	.XX + .03	CHECKED CMR	03/26/07		
ANGLES		DESIGNED			
XXX + .010		MFG ENG			
MATERIAL	ALUMINUM	QUAL ENG		ISS: N/A	REV
FRESH	BLACK				RAM-E-247-25
DO NOT SCALE DRAWING				SCALE 1 TO 1	CAD FILE: RAME24725 SHEET 1 OF 1