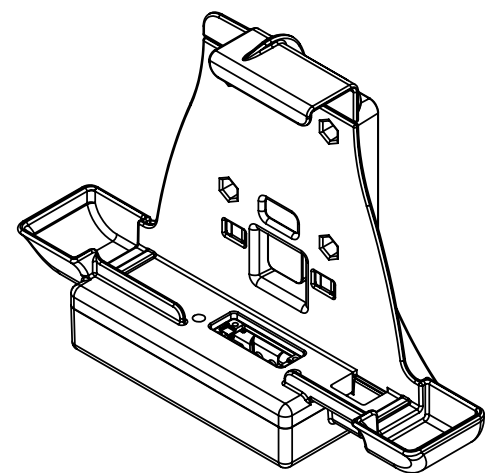
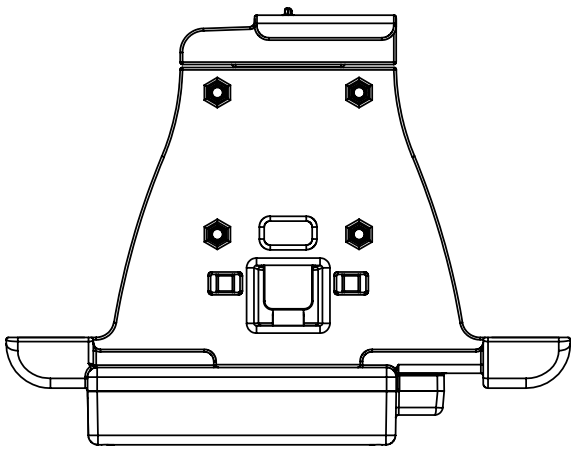
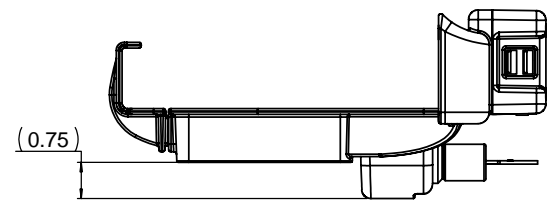
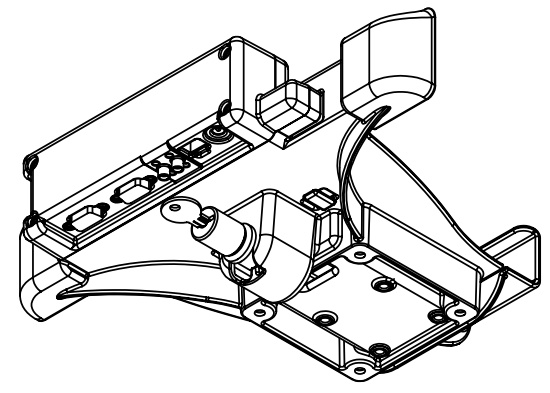
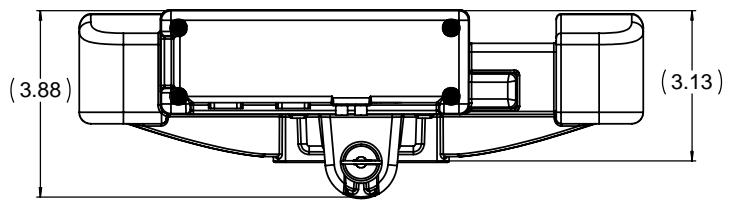
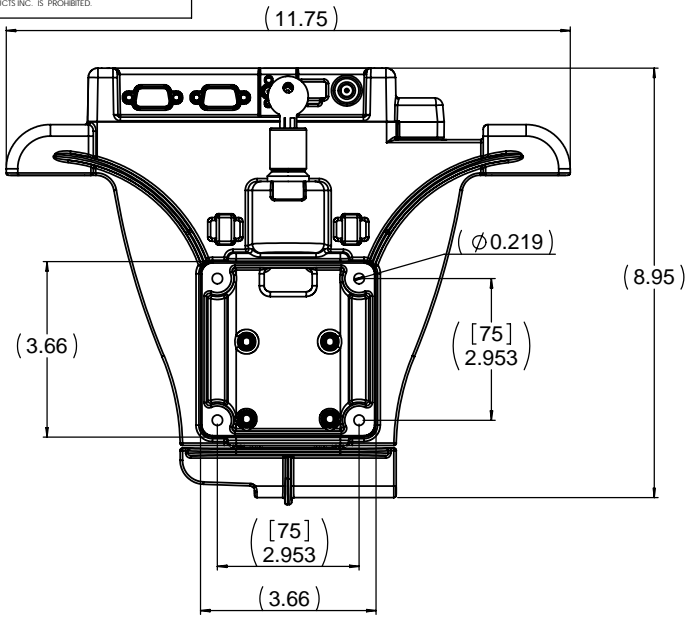


THE INFORMATION CONTAINED IN THIS DRAWING IS THE SOLE PROPERTY OF NATIONAL PRODUCTS INC. ANY REPRODUCTION IN PART OR WHOLE WITHOUT THE WRITTEN PERMISSION OF NATIONAL PRODUCTS INC. IS PROHIBITED.

REV	DESCRIPTION	REVISIONS	DATE	APPROVED



UNLESS OTHERWISE SPECIFIED DIMENSIONS ARE IN INCHES TOLERANCES ARE: FRACTIONS DECIMALS ANGLES + 1/32 -XX + .03 + -1 DEG. XXX+ - .010	CAD GENERATED DRAWING. DO NOT MANUALLY UPDATE		NATIONAL PRODUCTS INC.	
	APPROVALS	DATE	RAM CRADLE FOR GETAC E-100 TABLET	
MATERIAL PLASTIC COMPOSITE	DRAWN JDC	06/12/08	REV	
FINISH BLACK	CHECKED CMR	06/12/08	PART NO. RAMHOLGET1PU	
DO NOT SCALE DRAWING	DESIGN ENG	QUAL ENG	SCALE 1 TO 1	CAD FILE: RAMHOLGET1PU.DWG SHEET 1 OF 1