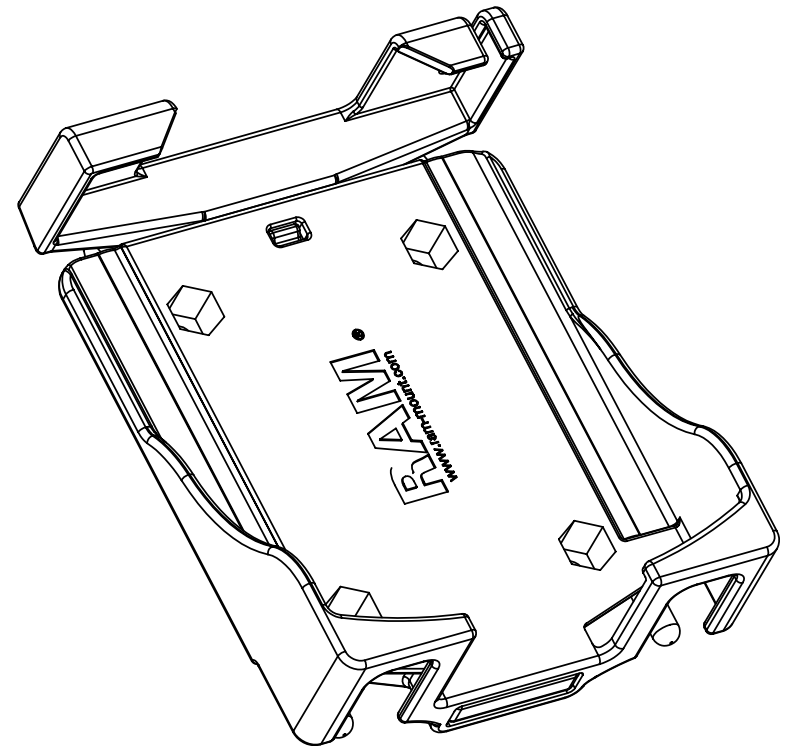
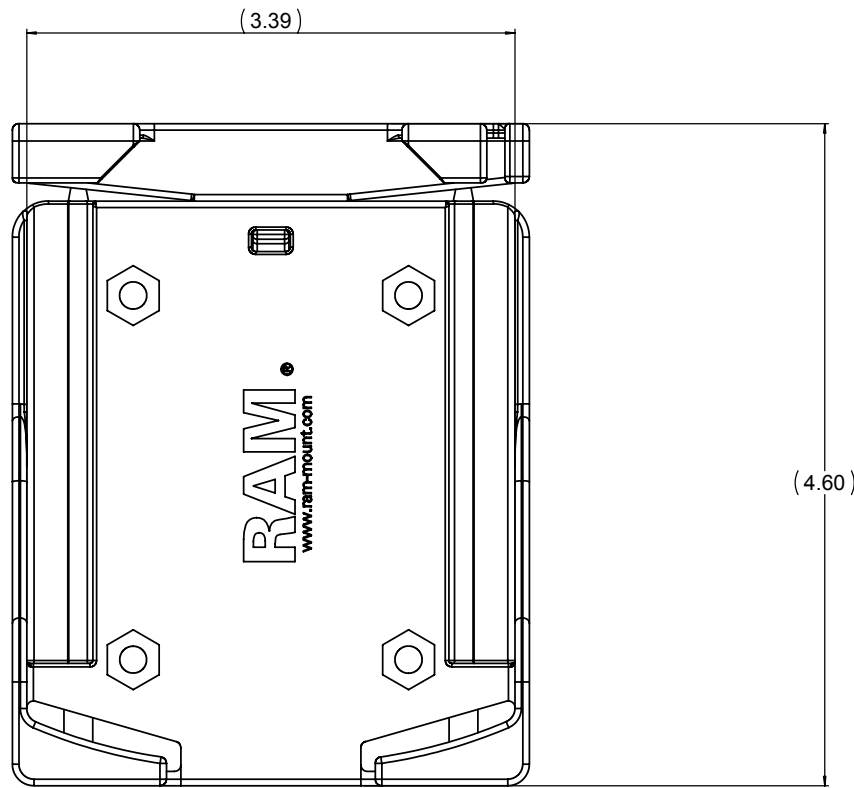
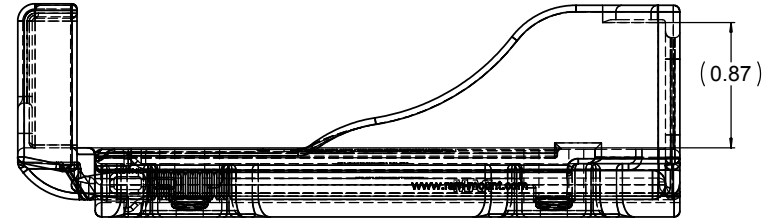
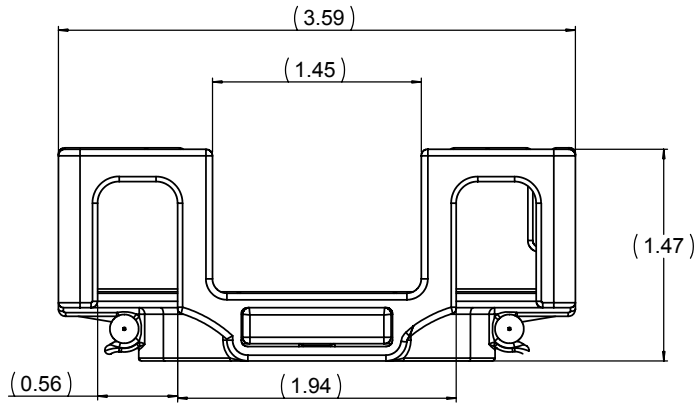


THE INFORMATION CONTAINED IN THIS DRAWING IS THE SOLE PROPERTY OF NATIONAL PRODUCTS INC. ANY REPRODUCTION IN PART OR WHOLE WITHOUT THE WRITTEN PERMISSION OF NATIONAL PRODUCTS INC. IS PROHIBITED.

REV.	DESCRIPTION	REVISIONS	DATE	APPROVED



UNLESS OTHERWISE SPECIFIED DIMENSIONS ARE IN INCHES TOLERANCES ARE: FRACTIONS: DECIMALS ANGLES + 1/32 XX+ .03 +- 1 DEG .XXX+ .010		CAD GENERATED DRAWING. DO NOT MANUALLY UPDATE		NATIONAL PRODUCTS INC.	
MATERIAL	CYCOLOY C1200	APPROVALS	DATE	RAM UNIVERSAL PDA CRADLE	
FINISH	BLACK	DRAWN	JDC 04/08/02	REV.	
		CHECKED	CMR 04/08/02	SCALE	1 TO 1
		RESP ENG		CAD FILE	RAMHOLPDI
		MFG ENG		SHEET	1 OF 1
		QUAL ENG			